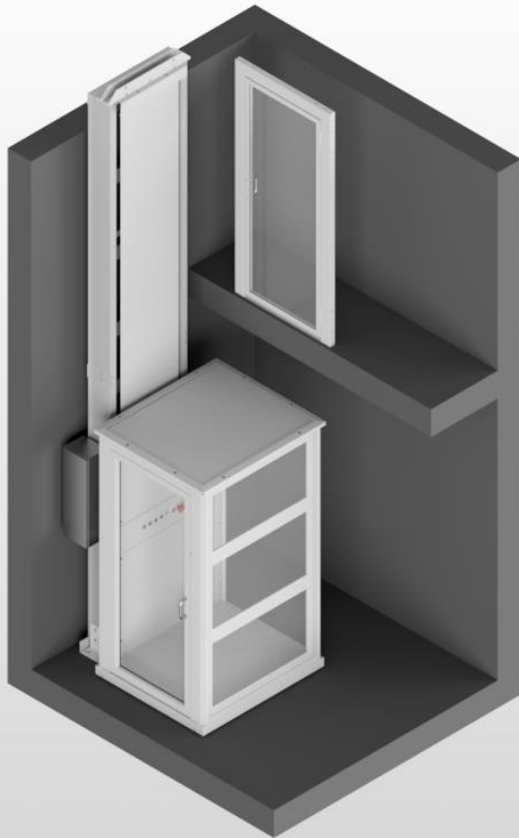


UN_925 Home Lift with electric drive



The UN_925 Home Lift is an innovative solution that elevates everyday living. It features a modern and customizable design, allowing homeowners to integrate it seamlessly into their living spaces. More than just a lift, it provides safe and effortless access to every level of your house, ensuring independence, comfort, and peace of mind.

Contact us

Unique Industry – Manthos Lift Solutions
Industrial Area of Larissa, Larissa, 41500, Greece

Phone: (+30) 2410-541558

Email: info@uniqueindustry.gr
sales@uniqueindustry.gr

Web: www.uniqueindustry.gr

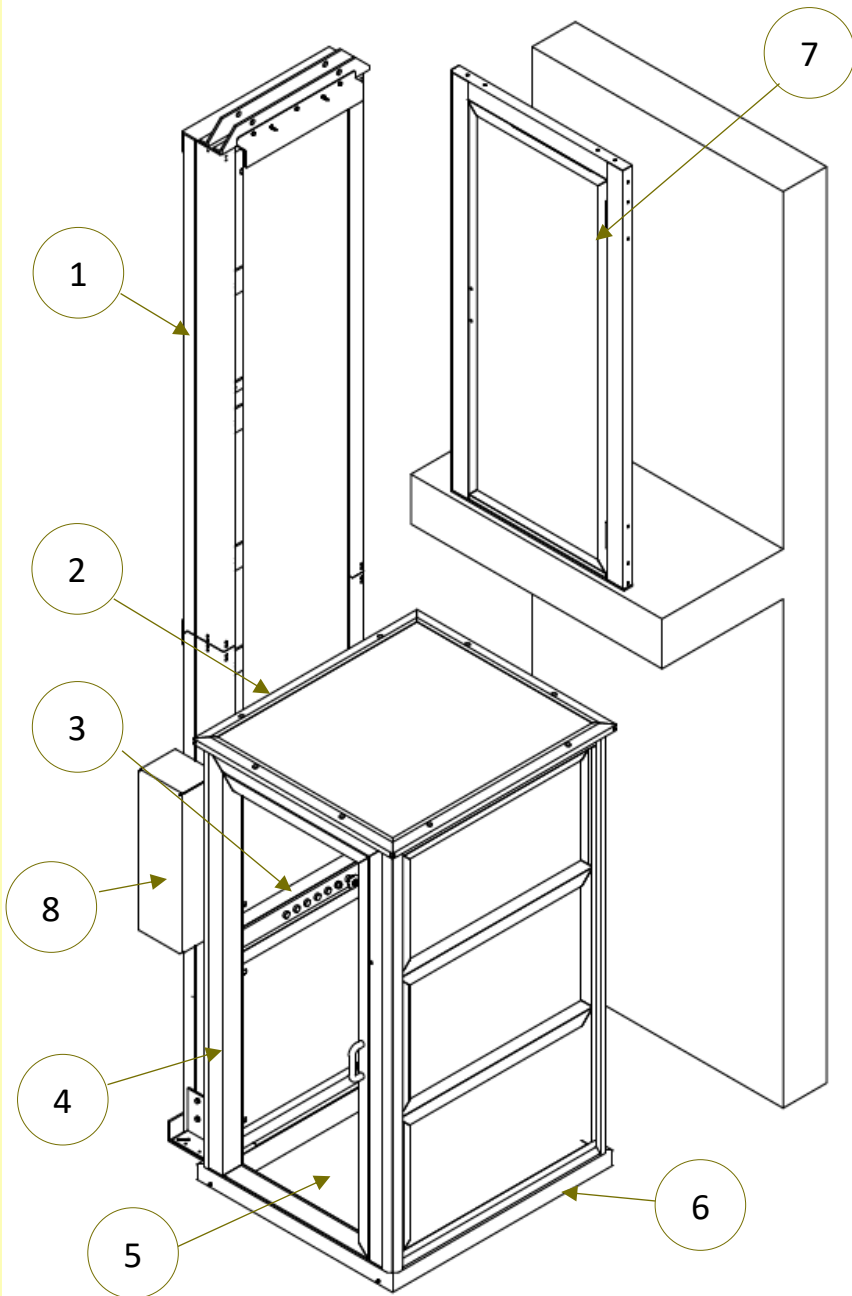


CONTENTS

Contents.....	2
1. Product Description	3
2. Benefits	4
3. Safety	4
4. Technical Description	5
5. Cabin Description	6
5.1 Cabin types.....	6
5.2 Cabin standard equipment	6
5.3 Color of the lift.....	6
5.4 Cabin and cabin door lining	6
5.5 Controls.....	7
5.6 Cabin doors.....	7
5.7 Closed cabin with double-leaf door (Optional).....	7
5.8 Cabin dimensions	8
6. Column	9
6.1 Column division (parts) per total travel.....	9
6.2 Column Support	10
6.2.1 Standard Column Support – Wall support	10
6.2.2 Optional Column Support - Triangle support.....	11
7. Control Box.....	12
8. Forces	13
8.1 Forces at the pit base.....	13
8.2 Forces on the shaft wall	14
9. Optional Equipment.....	15
9.1 Level doors	15
9.1.1 Description & available options.....	15
9.1.2 Door height 1100mm.....	16
9.1.3 Door height 2000mm.....	17
9.2 Aluminium protective barrier & level doors	18
9.3 Aluminium protective frames on lower landing	19
9.3.1 Aluminium protective frames on 2 sides – “Г” shape.....	19
9.3.2 Aluminium protective frames on 3 sides – “П” shape.....	19
9.4 Access - Ramp	20

10. Detailed Drawings	21
10.1 Cabin type A Entrance – Exit: Opposite sides.....	21
10.2 Cabin type A Entrance – Exit: Same side	22
10.3 Cabin type A Entrance – Exit: Adjacent sides 90°.....	23
10.4 Cabin type A Entrance – Exit: Adjacent sides 90°	24
10.5 Cabin type B Entrance – Exit: Opposite sides.....	25
10.6 Cabin type B Entrance – Exit: Same side	26
10.7 Cabin type B Entrance – Exit: Adjacent sides 90°	27
10.8 Cabin type B Entrance – Exit: Adjacent sides 90°	28
10.9 Cabin type C Entrance – Exit: Opposite sides.....	29
10.10 Cabin type C Entrance – Exit: Same side	30
10.11 Cabin type C Entrance – Exit: Adjacent sides 90°	31
10.12 Cabin type C Entrance – Exit: Adjacent sides 90°	32
10.13 Cabin type D Entrance – Exit: Opposite sides	33
10.14 Cabin type D Entrance – Exit: Same side	34
10.15 Cabin type D Entrance – Exit: Adjacent sides 90°.....	35
10.16 Cabin type D Entrance – Exit: Adjacent sides 90°.....	36
11. 3d Visualisation	37
11.1 Closed cabin	37
11.1.1 Entrance – Exit: Opposite sides, 2 stops.....	37
11.1.2 Entrance – Exit: Opposite sides, 3 stops.....	38
11.1.3 Entrance – Exit: Same sides, 2 stops.....	39
11.1.4 Entrance – Exit: Same side, 3 stops.....	40
11.1.5 Entrance – Exit: Adjacent sides 90°, 2 stops.....	41
11.2 Open Cabin	42
11.2.1 Entrance – Exit: Opposite sides, 2 stops.....	42
11.2.2 Entrance – Exit: Same side, 2 stops.....	43
11.2.3 Entrance – Exit: Adjacent sides 90°, 2 stops.....	44

1. PRODUCT DESCRIPTION



Information

- 1. Aluminium Column:** Lightweight and durable construction for easy installation.
- 2. Closed Cabin with Roof – Clear Height 2000mm:** Constructed from durable aluminum profiles, it features a protective roof with integrated LED lighting, while the side facing the lifting mechanism is fitted with blind panels.
- 3. Cabin Operation Panel (COP):** Ergonomically designed with clearly marked push-buttons for Up and Down, Emergency Stop, and a built-in alarm for added safety in emergencies.
- 4. Cabin Door Height 2000mm:** Full-height swing door for access at the bottom level. The door can be left or right hinged.
- 5. Cabin Floor:** Anti-slip surface made of corrosion-resistant aluminum, ensuring safety and minimal wear over time.
- 6. Anti-crushing protective surface:** It is integrated under platform floor. Prevents entrapment by stopping the lift if an obstacle is detected underneath.
- 7. Level Door:** It is installed at the upper stop to prevent accidental entry into the lift area when the platform is not at that level. The door is available in two height options: 1100 mm or 2000 mm.
- 8. Control Box:** Monitors and manages the lift's functions. It can be mounted either on the side of the mechanism or on the shaft wall, depending on your needs.

2. BENEFITS

Our revolutionary "UN_925" provides access to all levels of your home and requires a minimum intervention in the existing building. The installation of this lift does not require a shaft and it can be mounted directly to the building. A minimal pit is needed.

The installation procedure typically requires two to three days, ensuring a satisfied customer.

The silent operation along with the soft start-stop ensures smooth movement and a comfortable ride for all the passengers.

We believe that all domestic elevators should be energy efficient and eco-friendly. This is why this lift solution is not only space-sufficient, but also promotes more sustainable energy consumption because it is a reliable 100% electric drive system that operates with normal household electricity. Its' LED technology switches possess excellent energy-saving features.

List of main advantages

- Small pit requirement
- Soft Start - Stop
- Silent operation
- Works with normal household electricity
- Space – efficient lift solution
- Suitable for both outdoor and indoor installations
- Fast installation in 2 to 3 days
- 100% reliable electric drive
- Minimal ecological footprint

3. SAFETY

SAFETY IS OUR MAIN PRIORITY AND CORE VALUE

We have taken the proper measures to ensure the safety of the passengers in any given situation. That is why this lift model is equipped with safety gear in case the chain breaks. The entire system is supported by electromechanical locks and an anti-crushing protective surface integrated under platform floor. If requested, a battery-operated evacuation system can be added that uses a UPS in case there is no power.

We offer a 2-year standard warranty that can be optionally extended as per request from our customers.

Safety features

- Safety gear (in case the chain breaks)
- Emergency restraining device
- Terminal switches 24V
- Terminal stop switches 24V
- Electromechanical locks
- Anti-crushing protective surface integrated under platform floor
- Emergency STOP buttons
- Electronic engine control - inverter
- UPS evacuation system (upon request)

4. TECHNICAL DESCRIPTION

General information

Loading capacity: Max 420kg (Depending on the size of the cabin & lining materials)

Max no of stops: 3 (4 stops, upon request)

Standard Platform Sizes: Type A, B, C and D

The lift is available in 4 standard sizes to suit different space needs.

Platform Clear Dimensions:

Type A: 820 x 1215 mm, Type B: 1020 x 1215 mm

Type C: 1120 x 1485 mm, Type D: 1120 x 1605 mm

Total Machine Dimensions:

Type A: 1246 x 1300 mm, Type B: 1446 x 1300 mm

Type C: 1546 x 1570 mm, Type D: 1546 x 1690 mm

Power Supply: 1.5kW, 220V (1-phase)

Current Operation: 16A

Main Required Fuse: 1 x fuse 16 A (slow) or circuit breaker 1 x 16 A (trigger characteristic K or C)

Maximum lifting height: 8000mm

- Open cabin: 0 – 4m
- Closed cabin: 0 – 8m

Speed: 0.12 – 0.14 m/sec

Access height: 150mm

Headroom: 2100mm

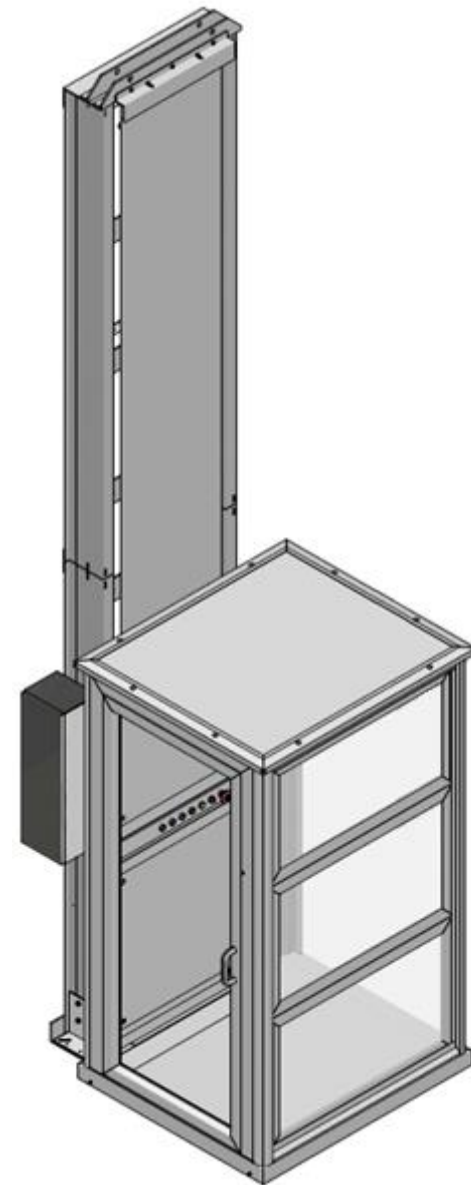
Motor: Geared electric motor 1,5 kW

Metallic chain: 2X3/4' DW 8187 12B

Door configuration: Single access, open-through, 90° opening

Directives and standards: Machine Directive 2006/42/EC

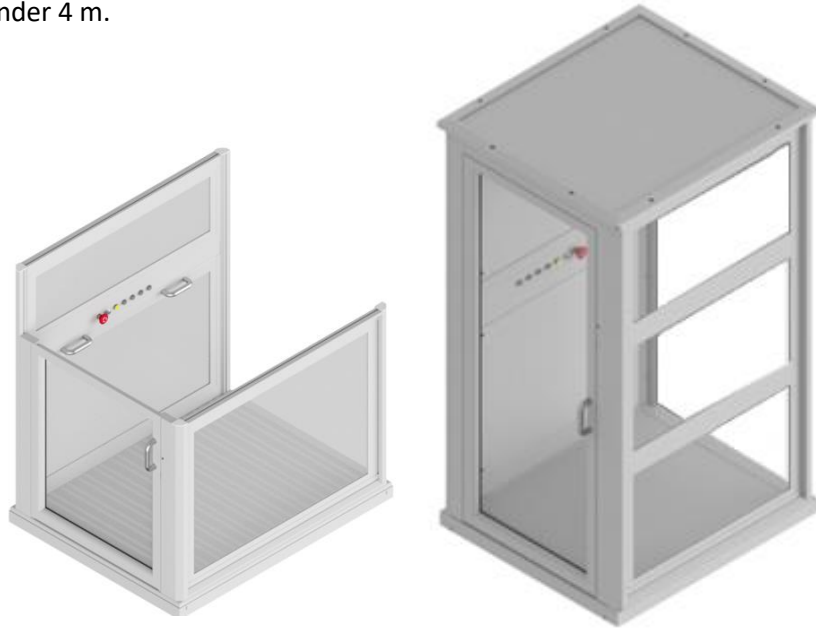
Examination Certificate for compliance with European safety standards



5. CABIN DESCRIPTION

5.1 Cabin types

The lift is available with two cabin configurations: a closed cabin with a height of 2000 mm and a roof for full enclosure, or an optional open cabin with a height of 1100 mm, recommended for travel distances under 4 m.



5.2 Cabin standard equipment

- The main frame of the cabin is made of aluminum profiles.
- Aluminium anti – slip surface is also fitted on the cabin floor.
- Handrail with integrated COP.
- The side of the cabin facing the building is equipped with photocells.
- As an alternative option, it can be fitted with a double-leaf manual door that opens inward.
- Anti-crushing protective surface integrated under platform floor.

5.3 Color of the lift

The standard color of the lift is:
RAL 7040 NEOKEM AMMOS

<https://neokem.eu/en/ammos-collection-details/>



! Other options are available upon request



! Important Note

The cabin floor features a premium anodized finish, offering durability, a sleek appearance, and protection against wear.

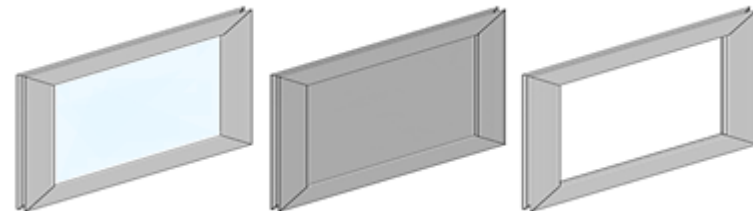
5.4 Cabin and cabin door lining

The cabin and the cabin doors can be lined with either:

- Polycarbonate
- Triplex glass

! Important Note

The side that faces the mechanism is lined with blind panels as standard.



5.5 Controls

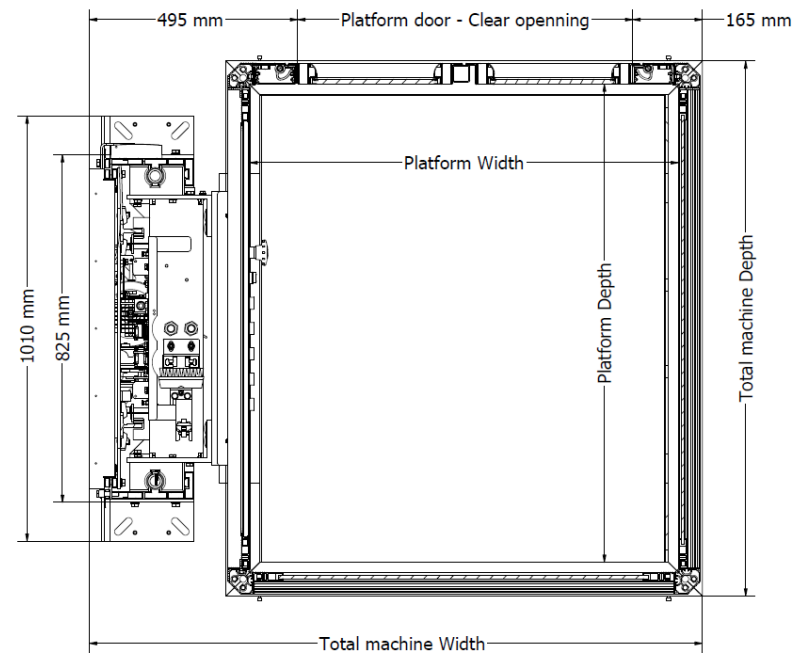
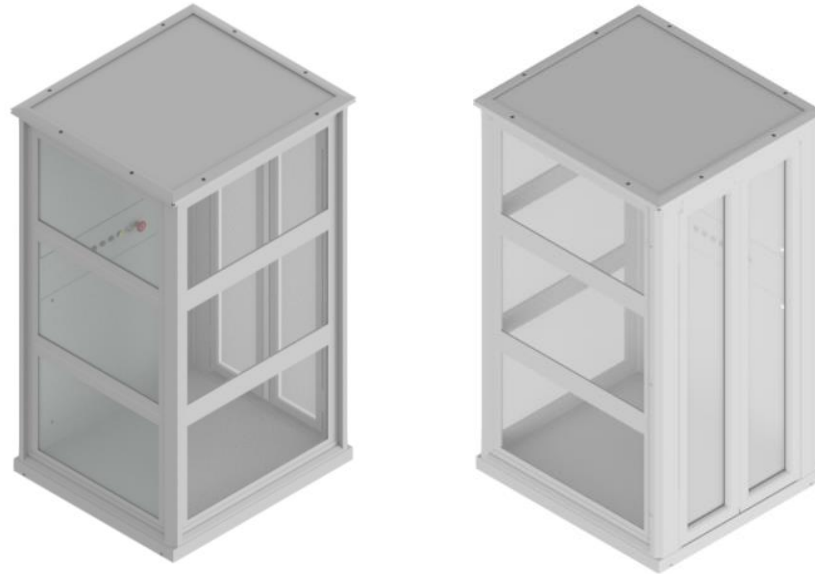
- LOP at the entrance with key switch and continuous pressure call button mounted on the wall.
- The COP includes floor indicating buttons, key switch, alarm button and emergency stop.



5.6 Cabin doors

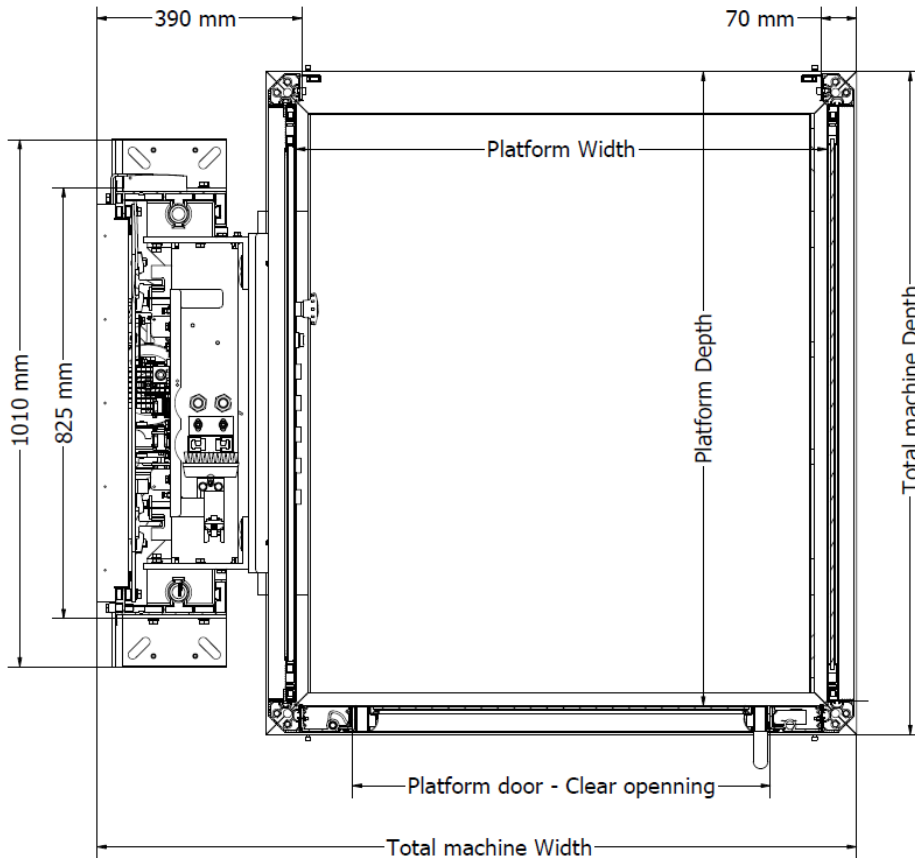
- Single door with left or right hinged according to your needs.
- Standard operation is semi-automatic.
- Optional double-leaf manual door that opens inward, in the case of the closed cabin.
- Lining according to your desire.

5.7 Closed cabin with double-leaf door (Optional)



5.8 Cabin dimensions

There are 4 types of standard dimensions.



Type	Platform dimensions		Total Machine Dimensions		Door opening
	Width	Depth**	Width	Depth	Width
A	820	1215	1246	1300	600
B	1020	1215	1446	1300	800
C	1120	1485	1546	1570	900
D	1120	1605	1546	1690	900

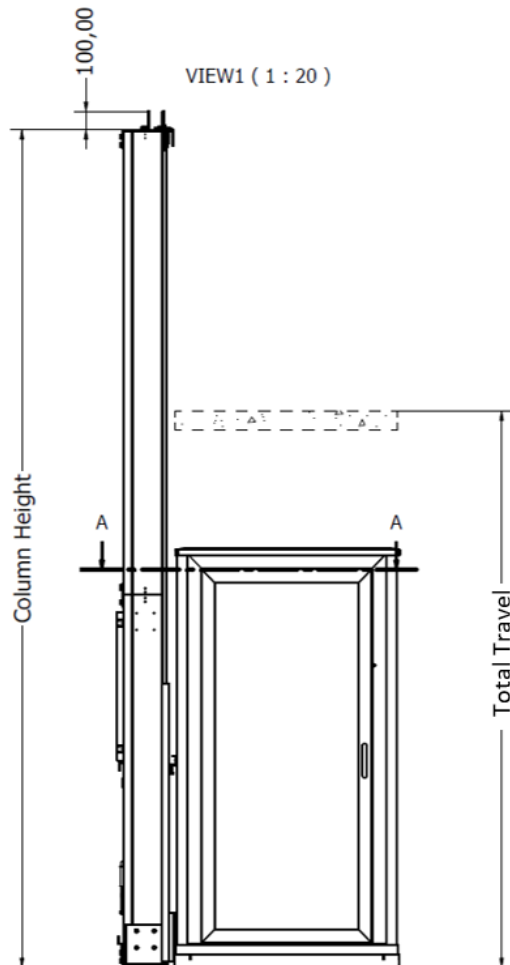
**All dimensions are given in millimeters (mm).*

***If the cabin is equipped with a double-leaf door, the platform depth is reduced by 50 mm.*

6. COLUMN

The column consists of two vertical aluminum pillars and separate sections that are placed on top of each other. The first section, which is positioned on the ground, is different from the rest both in length and in structure. The chassis moves smoothly over special plastic sliders, while the front and back sides of the column are covered with blind sheets. The gearbox and a double-chain configuration are located at the lowest part, for better accessibility during maintenance.

6.1 Column division (parts) per total travel



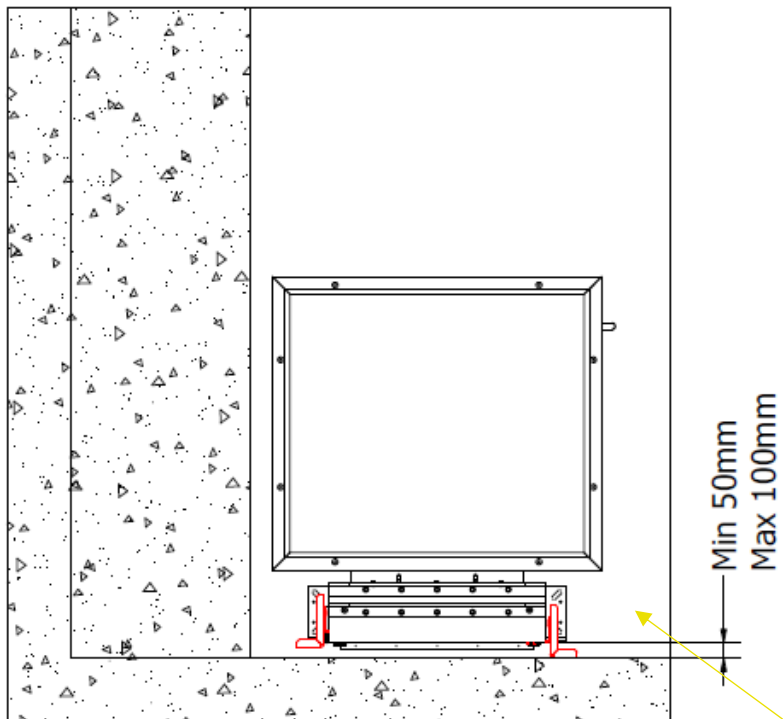
Total Travel	Column Height	Part 1	Part 2	Part 3	Part 4
420	2000	2000			
920	2500	2500			
1420	3000	2000	1000		
1920	3500	2500	1000		
2420	4000	2000	2000		
2920	4500	2000	2500		
3420	5000	2500	2500		
3920	5500	2000	2500	1000	
4420	6000	2000	2000	2000	
4920	6500	2000	2500	2000	
5420	7000	2000	2500	2500	
5920	7500	2500	2500	2500	
6420	8000	2000	2000	2000	2000
6920	8500	2000	2500	2000	2000
7420	9000	2000	2500	2500	2000
7920	9500	2000	2500	2500	2500
8420	10000	2500	2500	2500	2500

**All dimensions are given in millimeters (mm).*

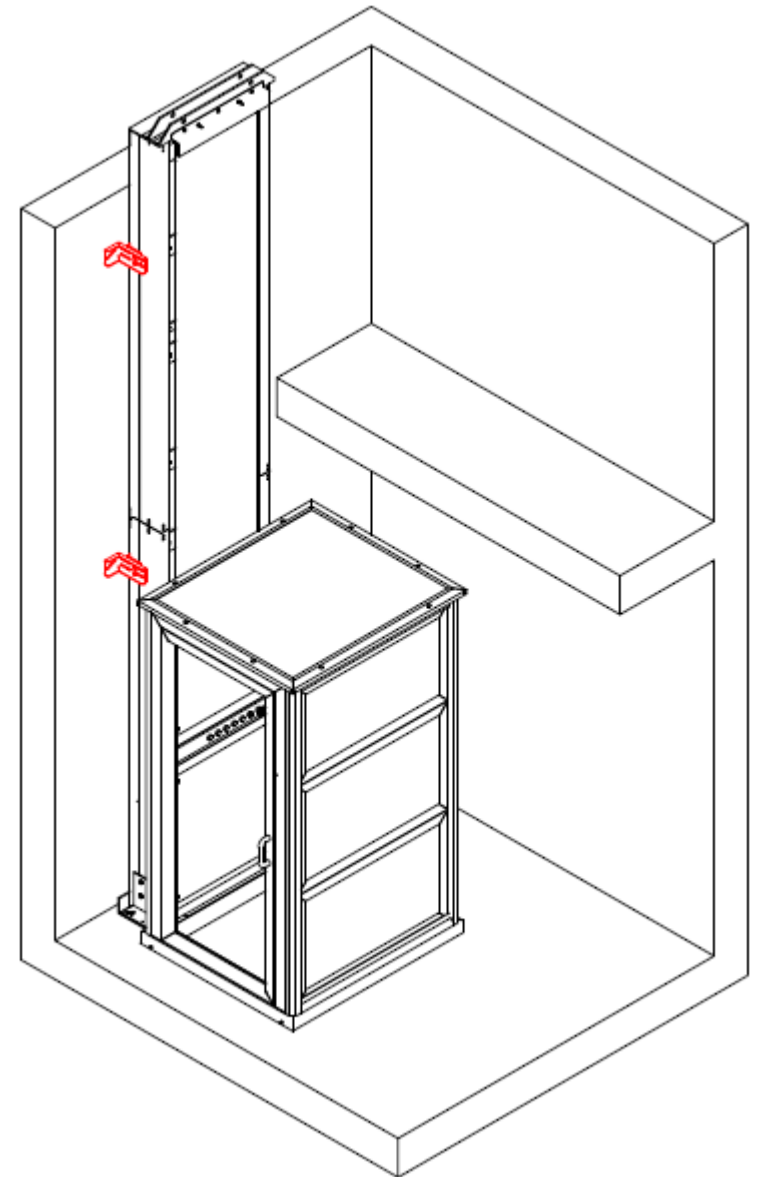
6.2 Column Support

Depending on the installation, the column can either be mounted directly on a wall or in the absence of a wall, supported by a triangular structure.

6.2.1 Standard Column Support – Wall support

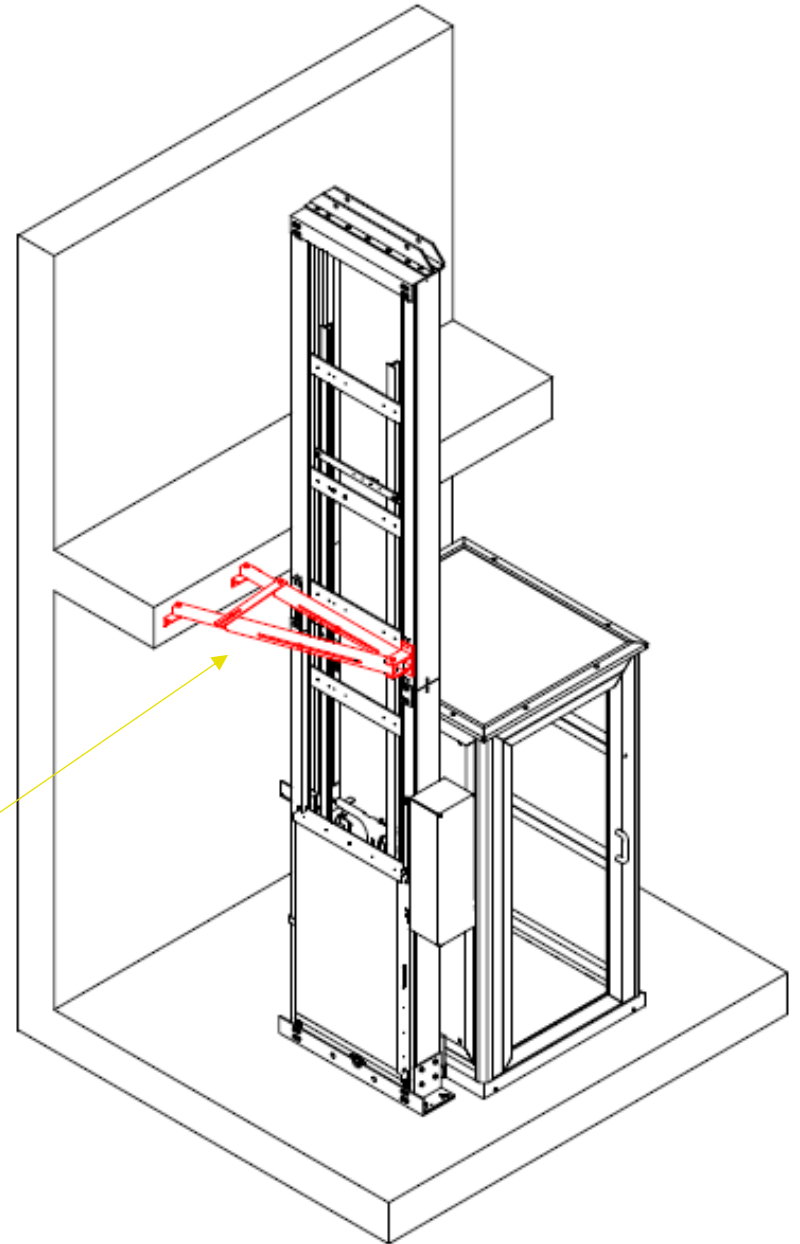
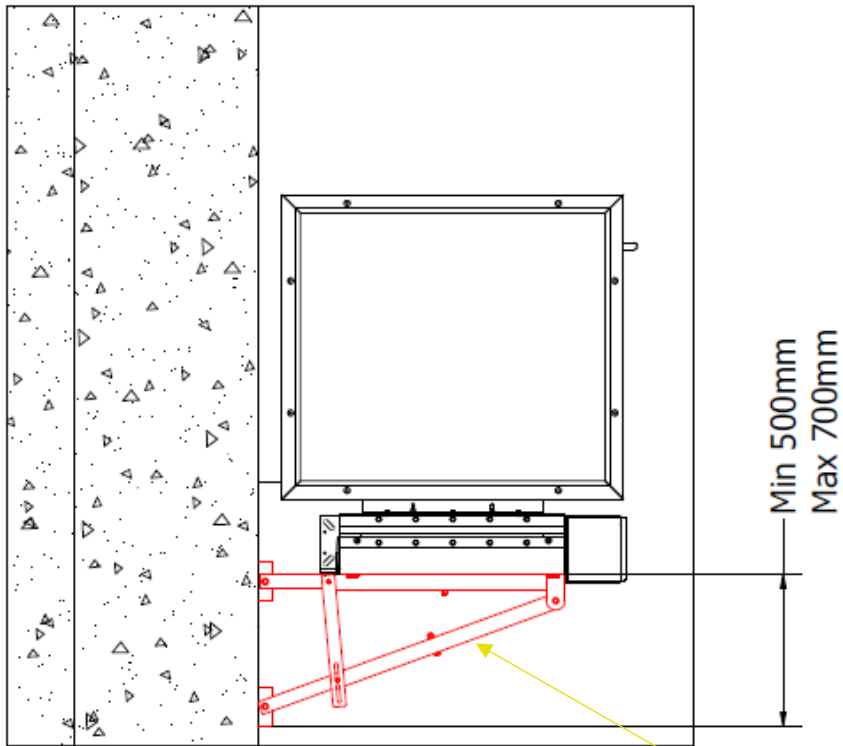


Angle support directly on the wall. It can cover differences between 50 to 100mm.



6.2.2 Optional Column Support - Triangle support

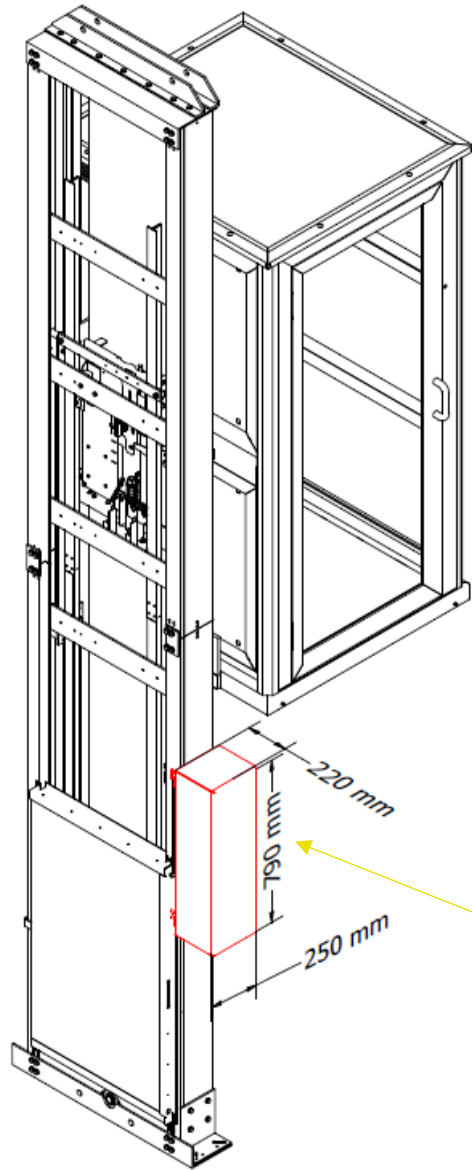
As mentioned earlier, if no wall is available behind the column, we offer the option of triangular support that can be mounted at each stop of the lift, such as on balconies.



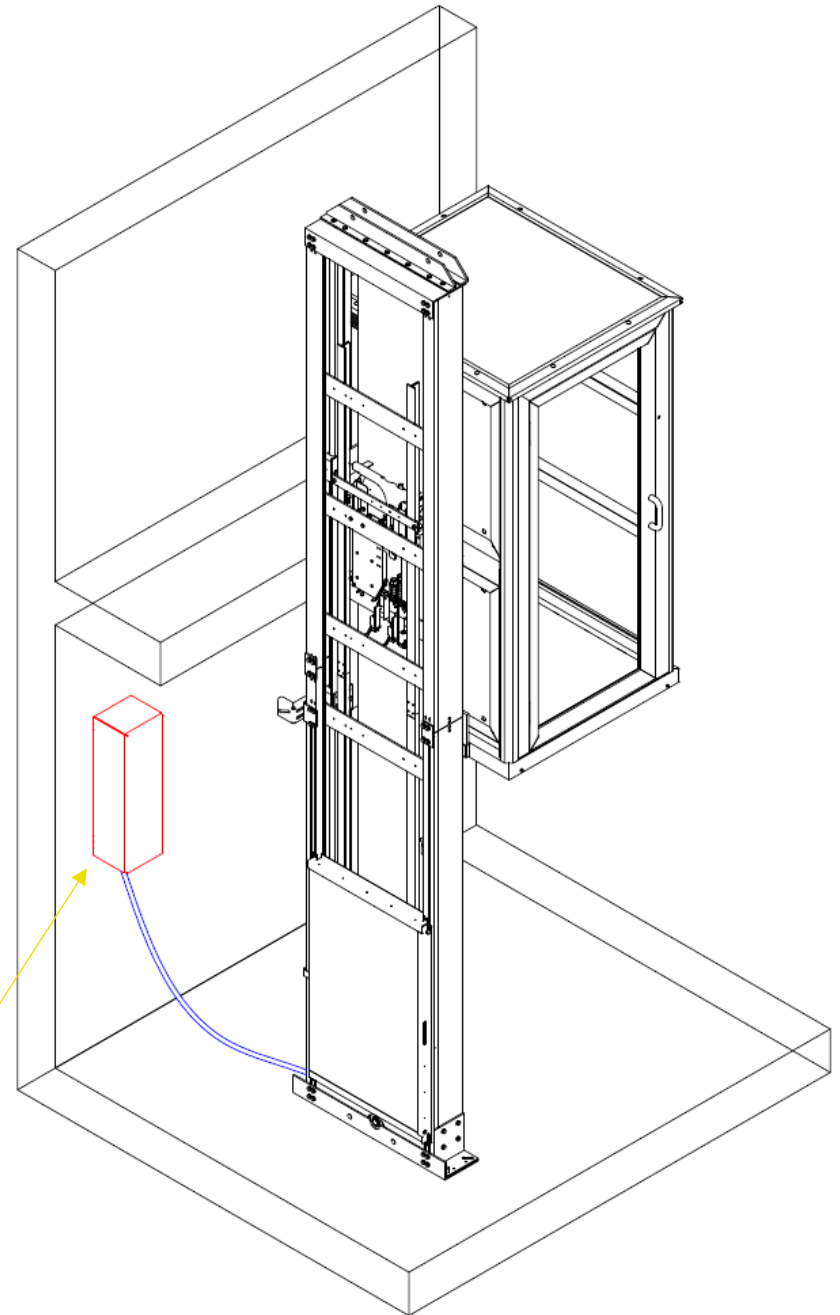
Triangle support on the wall. It can be expanded or retracted between 500 to 700mm.

7. CONTROL BOX

The control box is located on the side of the column, by default, but it can also be placed on the shaft wall upon request.



Different location options for the control box

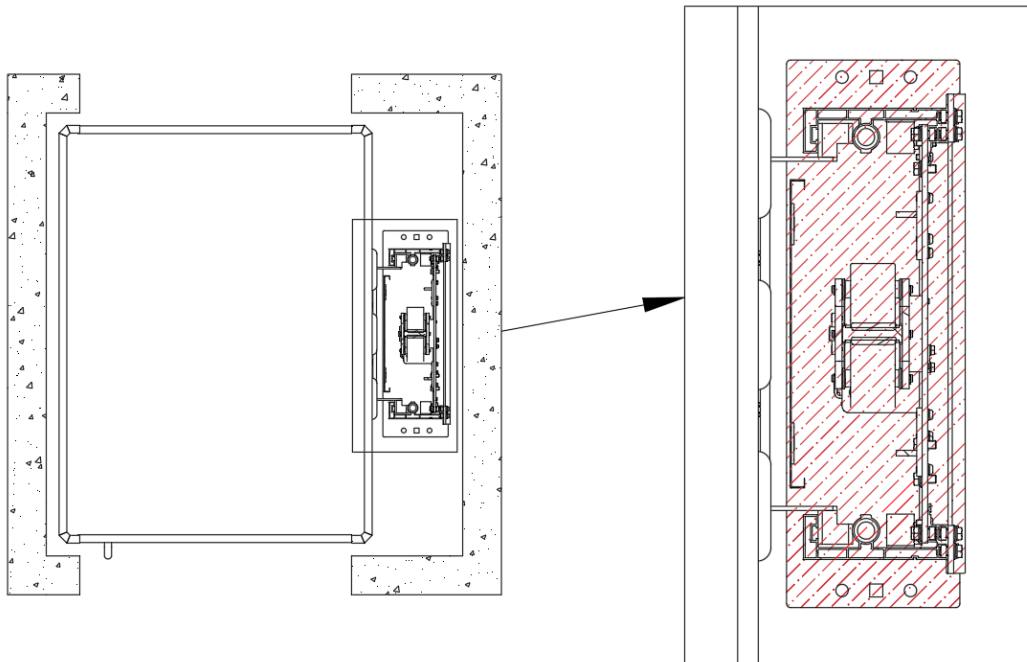


8. FORCES

8.1 Forces at the pit base

The forces have been calculated for a maximum load of 420 kg and platform external dimensions of 1600 x 1250 mm.

The applied forces are: 60.000 N



8.2 Forces on the shaft wall

The forces applied to the shaft along the x-axis are:

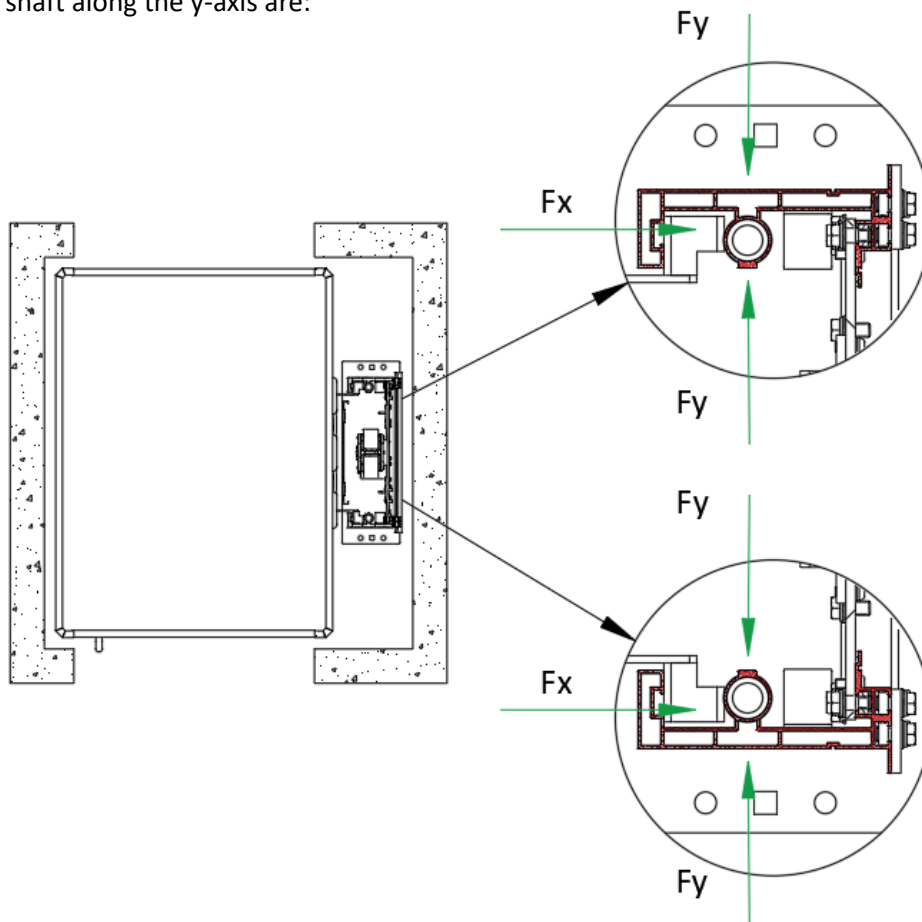
$$F_x = 9200 \text{ N}$$

$$F_y = 920 \text{ N}$$

The forces applied to the shaft along the y-axis are:

$$F_x = 8500 \text{ N}$$

$$F_y = 2500 \text{ N}$$



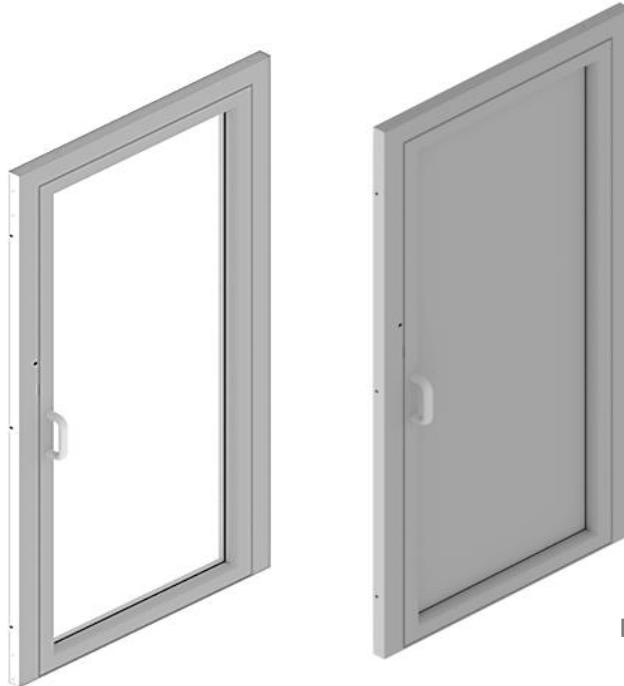
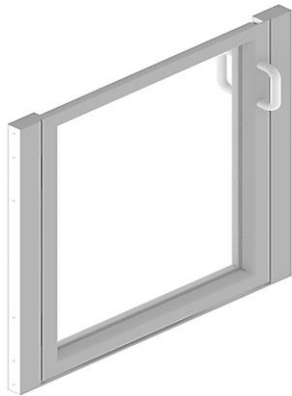
9. OPTIONAL EQUIPMENT

9.1 Level doors

9.1.1 Description & available options

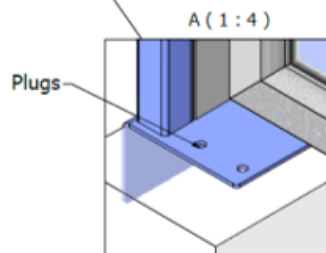
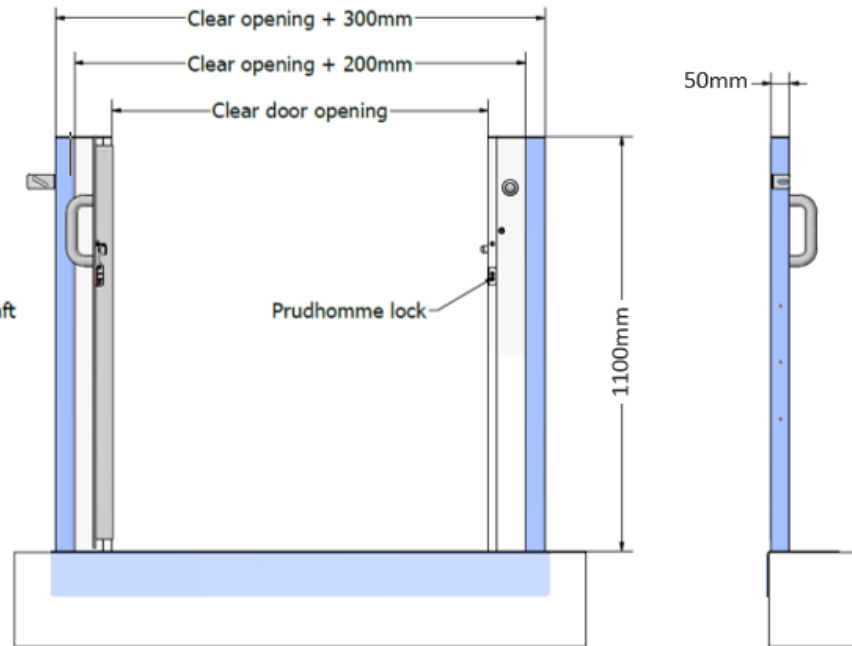
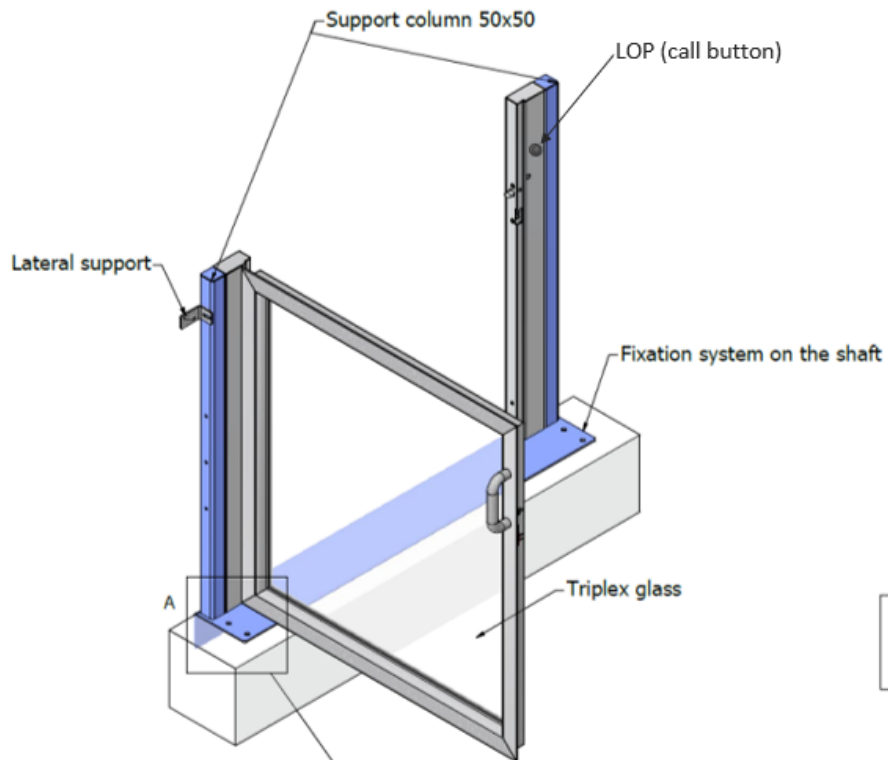
- ✓ **Single doors.**
- ✓ **Operation:** Semi-automatic operation.
- ✓ **Hinge:** Left or right.
- ✓ **Clear Height:** 1100mm or 2000mm.
- ✓ **Lining:** Triplex glass, polycarbonate sheet or blind panel.
- ✓ **LOPs** are integrated on the doors with continuous pressure call button.
- ✓ **Installation Options:** Doors can be fixed freestanding on the level floor, mounted directly onto the building wall or integrated into the barrier.

Door height 1100mm



Door height 2000mm

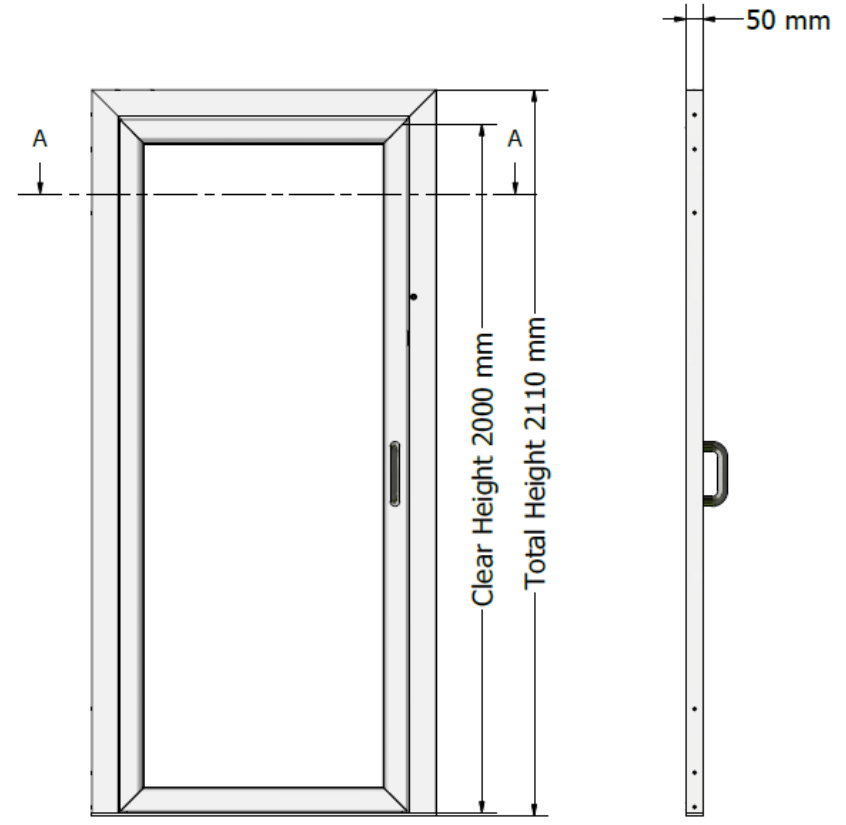
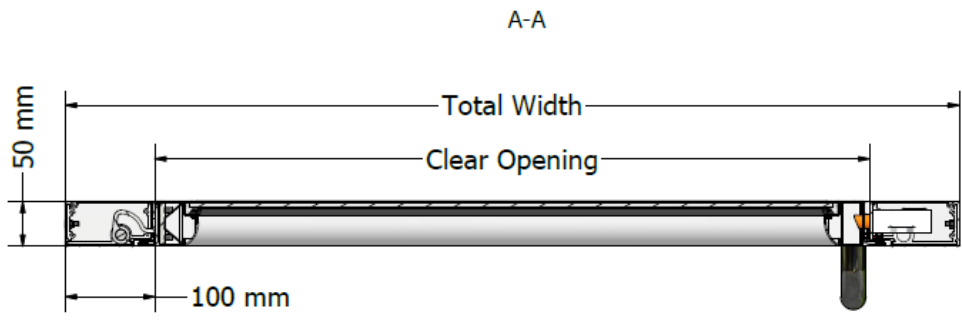
9.1.2 Door height 1100mm



STANDARD DOOR DIMENSIONS

Type	Clear opening	Total width	Clear height
A	600mm	900mm	1100mm
B	800mm	1100mm	1100mm
C	900mm	1200mm	1100mm
D	900mm	1200mm	1100mm

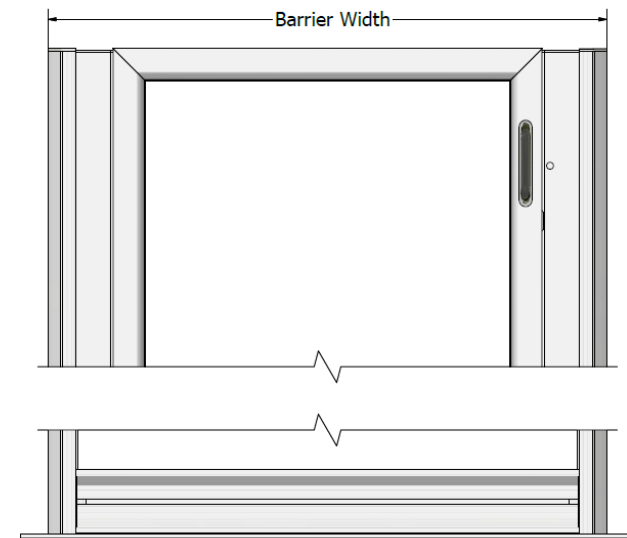
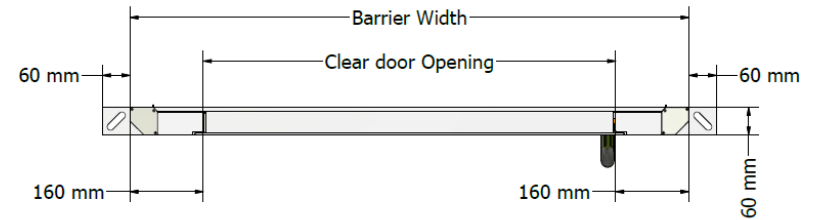
9.1.3 Door height 2000mm



STANDARD DOOR DIMENSIONS				
Type	Clear opening	Total width	Clear height	Total height
A	600mm	800mm	2000mm	2110mm
B	800mm	1000mm	2000mm	2110mm
C	900mm	1100mm	2000mm	2110mm
D	900mm	1100mm	2000mm	2110mm

9.2 Aluminium protective barrier & level doors

The protective barrier at the platform's exit is a key safety feature designed to prevent users from accidentally stepping off the platform while it is in motion, particularly in cases where there is no wall on the exit side, along the entire travel height. The doors are seamlessly integrated into the barrier, remaining securely closed during travel and unlocking only once the platform has reached the correct landing level, ensuring safe and controlled entry and exit.

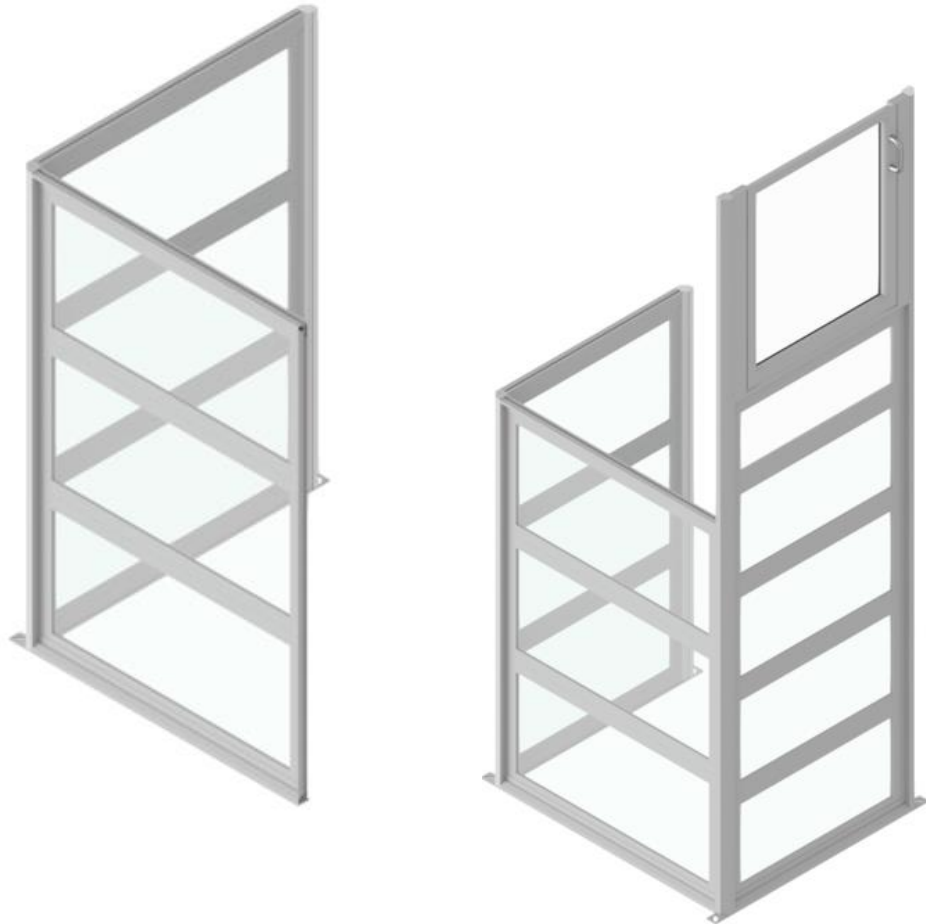


STANDARD BARRIER & DOOR DIMENSIONS		
Type	Door clear opening	Barrier width
A	600mm	920mm
B	800mm	1120mm
C	900mm	1220mm
D	900mm	1220mm

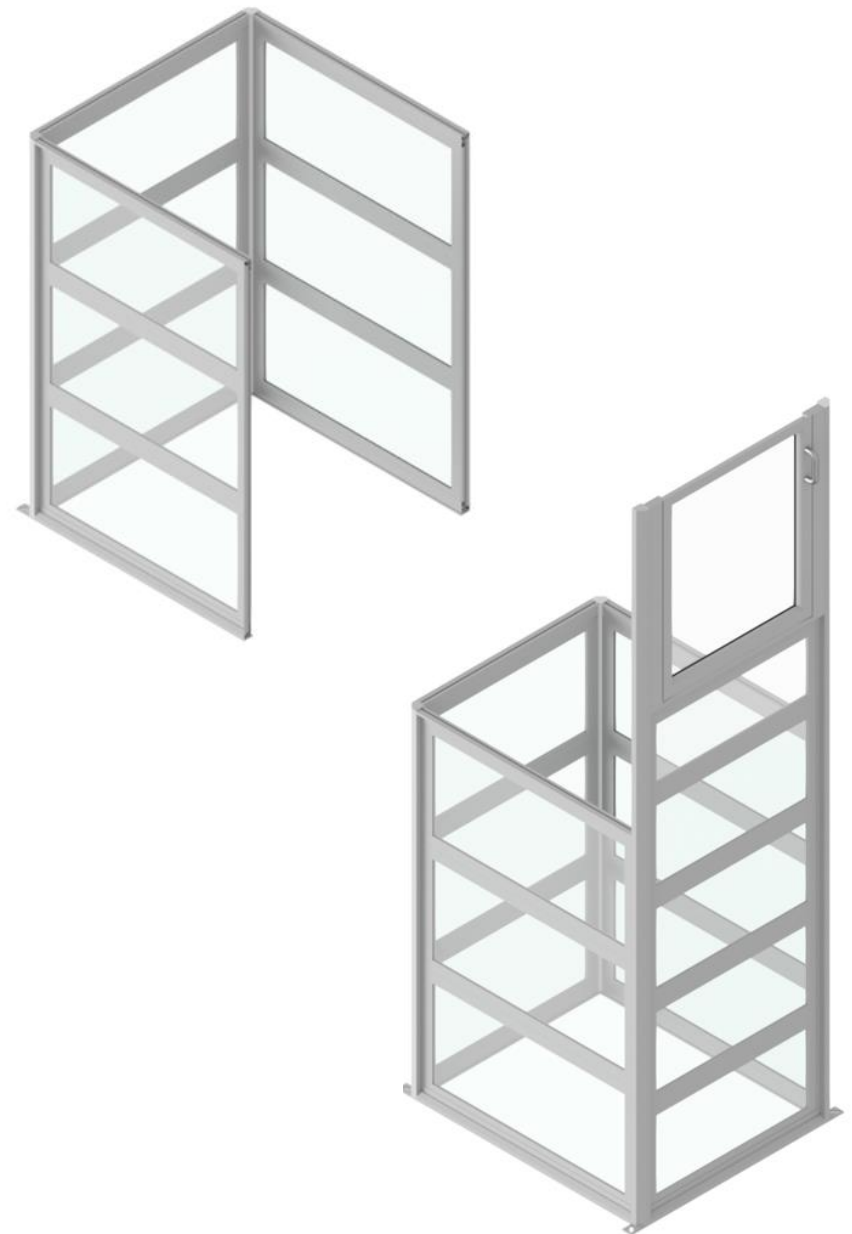
9.3 Aluminium protective frames on lower landing

As optional equipment, protective shaft frames can be installed at the lower landing to safeguard the machine area wherever required. Depending on the installation layout, the system can be equipped with 2-side or 3-side protective frames at a standard height of 2100 mm, ensuring complete safety on all exposed sides of the lift.

9.3.1 Aluminium protective frames on 2 sides – “Г” shape



9.3.2 Aluminium protective frames on 3 sides – “П” shape

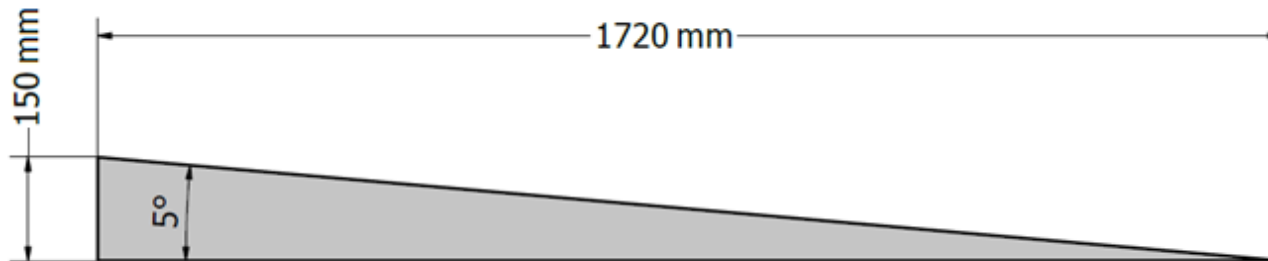
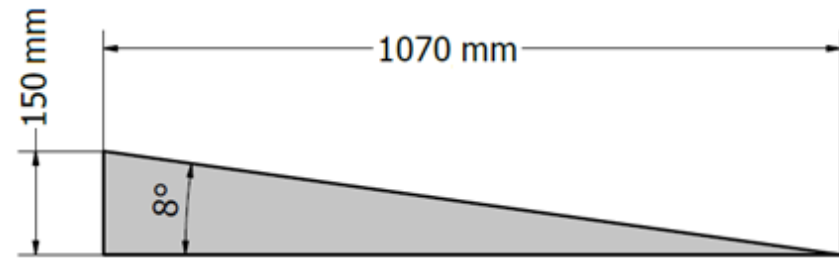
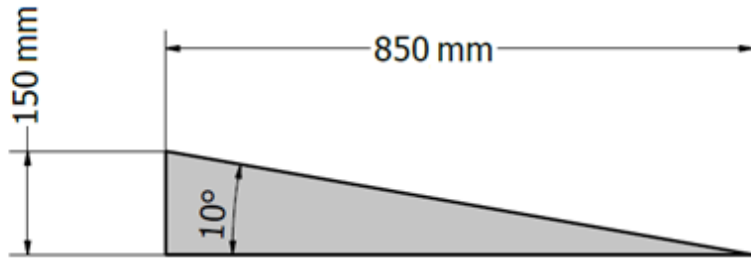


9.4 Access - Ramp

The pit required is 150mm.

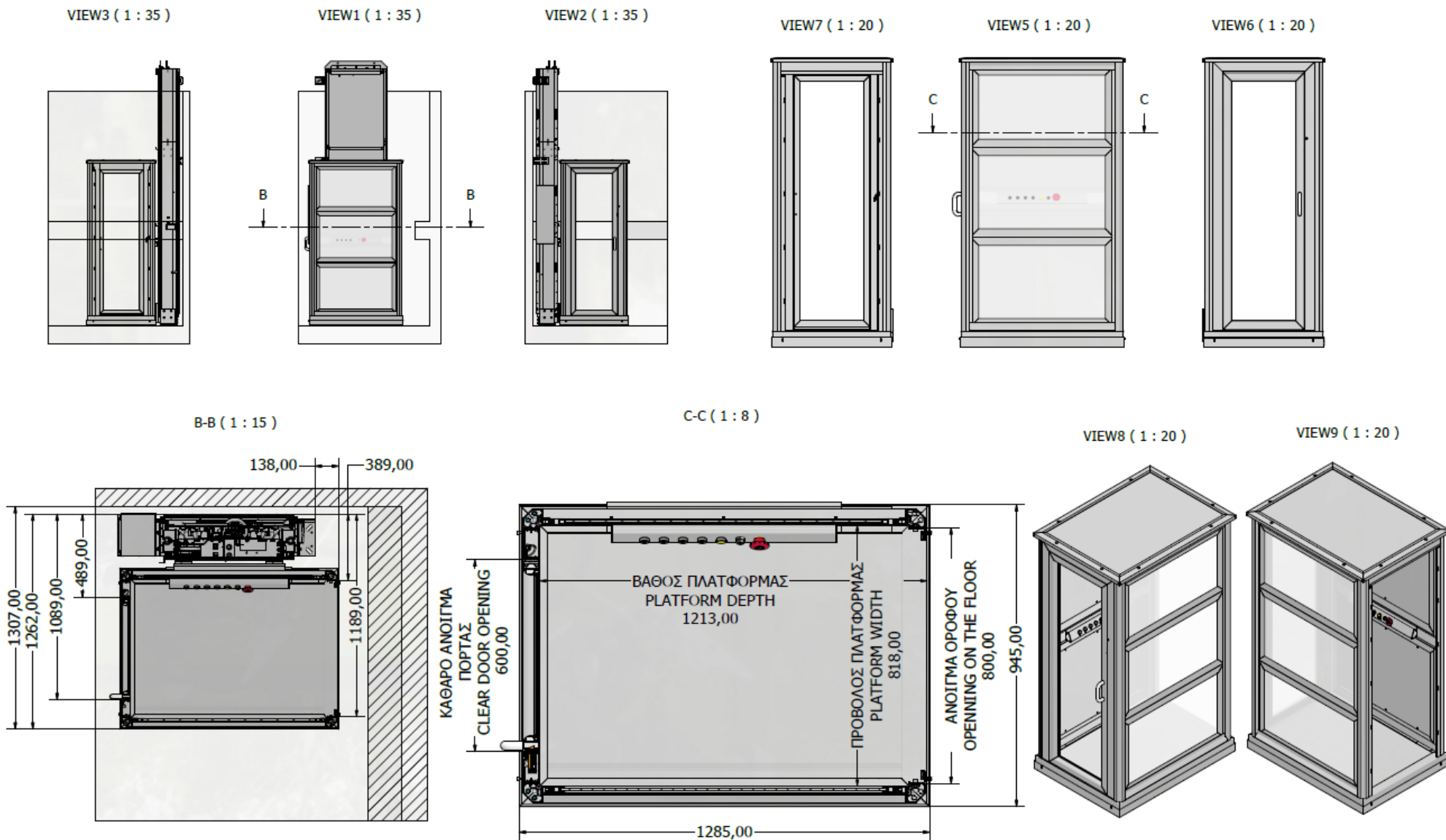
In case there is not a pit a ramp can be added to close the gap.

Depending on the available space and requirements we can have the following ramp dimensions.



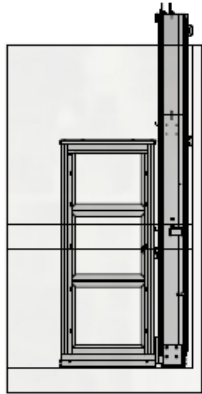
10. DETAILED DRAWINGS

10.1 Cabin type A | Entrance – Exit: Opposite sides

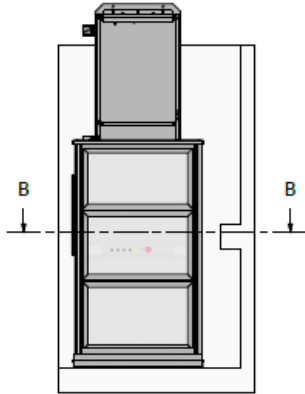


10.2 Cabin type A | Entrance – Exit: Same side

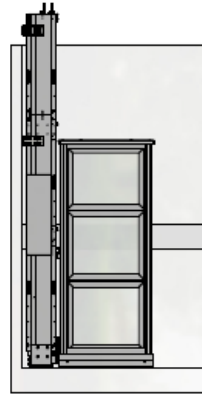
VIEW3 (1 : 35)



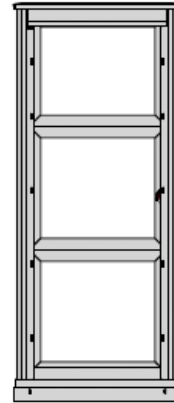
VIEW1 (1 : 35)



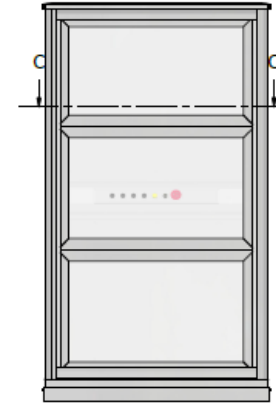
VIEW2 (1 : 35)



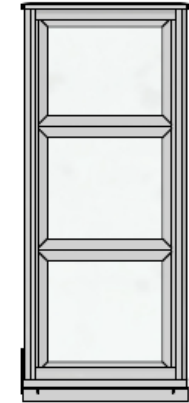
VIEW7 (1 : 20)



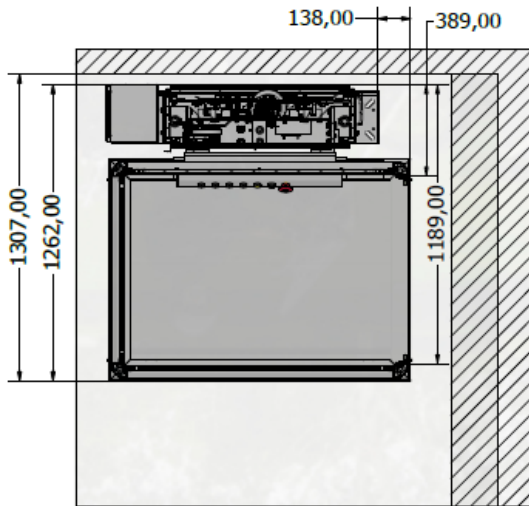
VIEW5 (1 : 20)



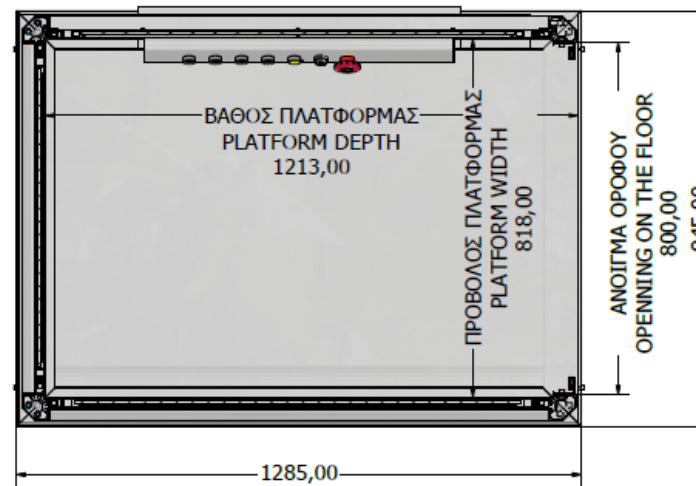
VIEW6 (1 : 20)



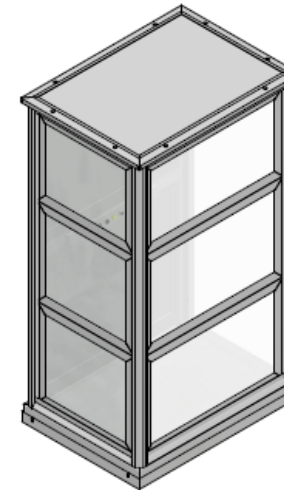
B-B (1 : 15)



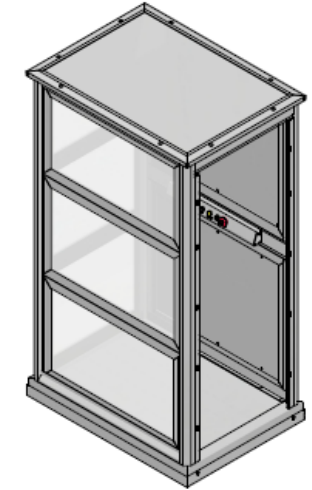
C-C (1 : 8)



VIEW8 (1 : 20)



VIEW9 (1 : 20)

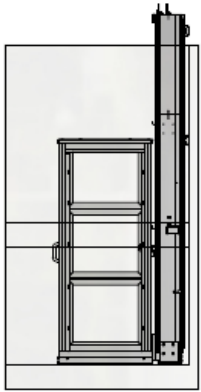


ΕΙΣΟΔΟΣ - ΕΞΟΔΟΣ: ΙΔΙΑ ΠΛΕΥΡΑ
ENTRANCE - EXIT: SAME SIDE

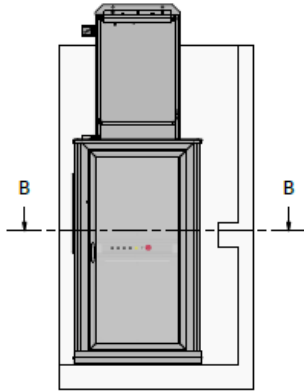
Type A
800 x 1200

10.3 Cabin type A | Entrance – Exit: Adjacent sides 90°

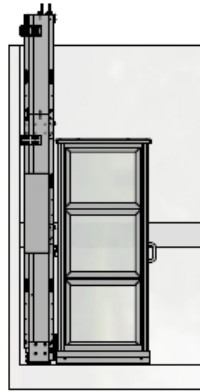
VIEW3 (1 : 35)



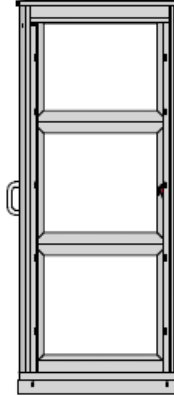
VIEW1 (1 : 35)



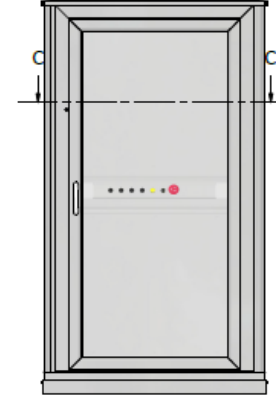
VIEW2 (1 : 35)



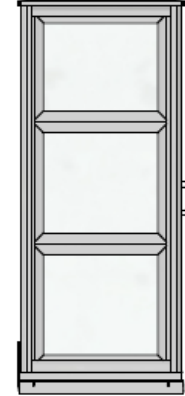
VIEW7 (1 : 20)



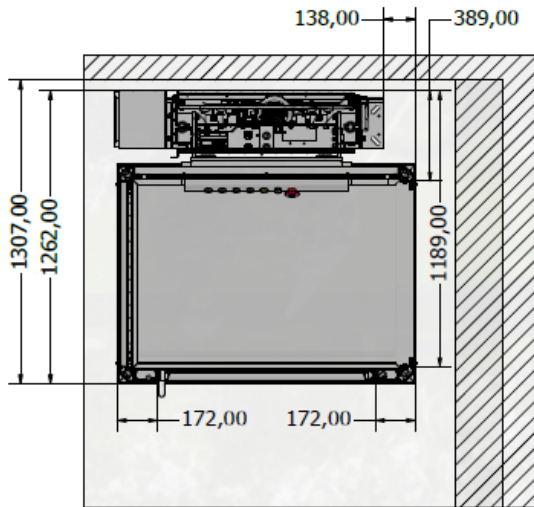
VIEW5 (1 : 20)



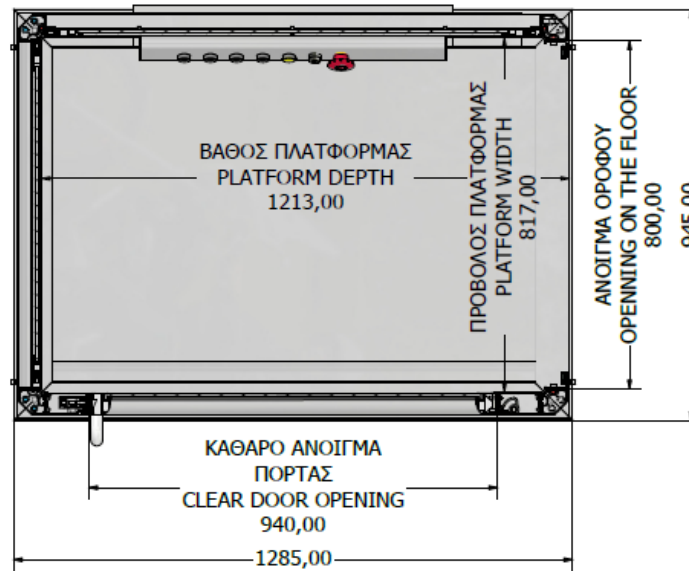
VIEW6 (1 : 20)



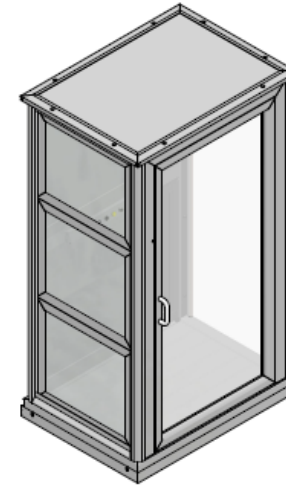
B-B (1 : 15)



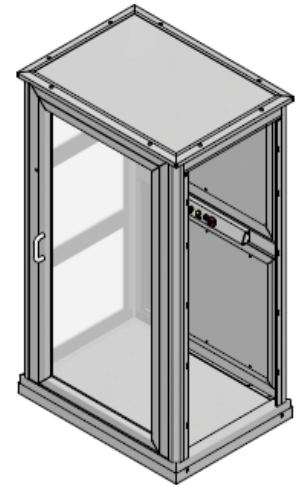
C-C (1 : 8)



VIEW8 (1 : 20)



VIEW9 (1 : 20)

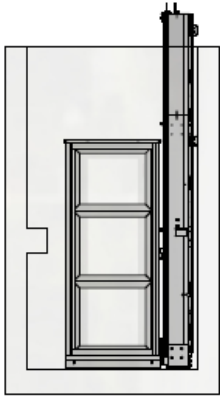


ΕΙΣΟΔΟΣ - ΕΞΟΔΟΣ: ΥΠΟ ΓΩΝΙΑ
 ENTRANCE - EXIT: 90°

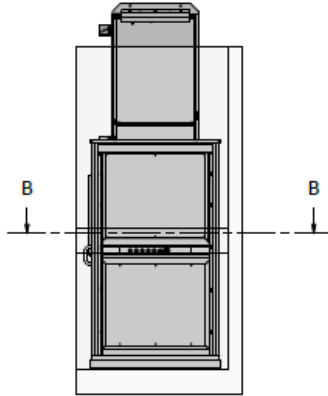
Type A
 800 x 1200

10.4 Cabin type A | Entrance – Exit: Adjacent sides 90°

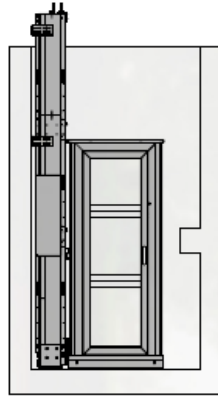
VIEW3 (1 : 35)



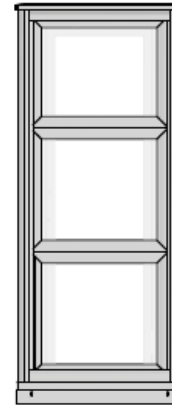
VIEW1 (1 : 35)



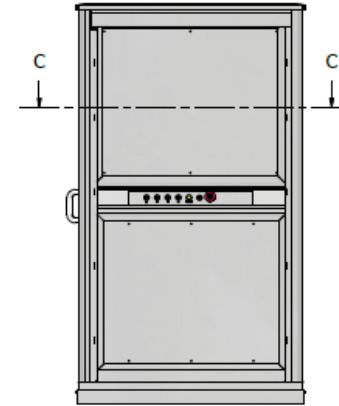
VIEW2 (1 : 35)



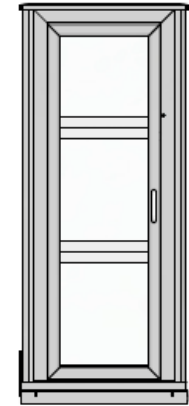
VIEW7 (1 : 20)



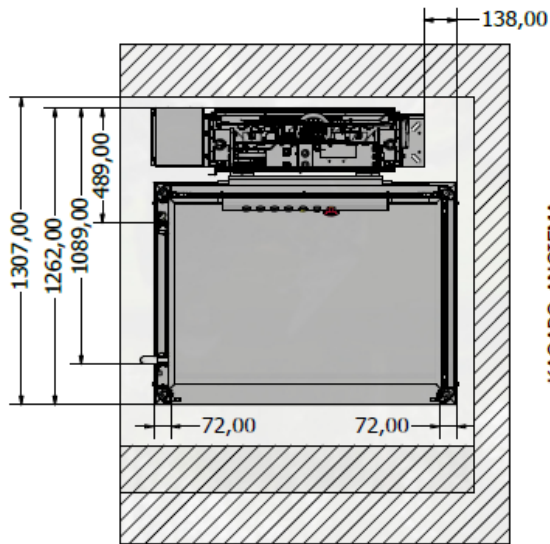
VIEW5 (1 : 20)



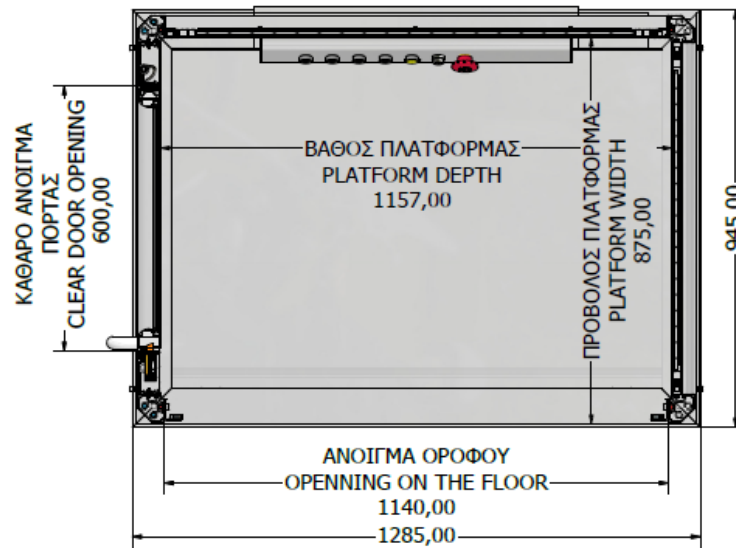
VIEW6 (1 : 20)



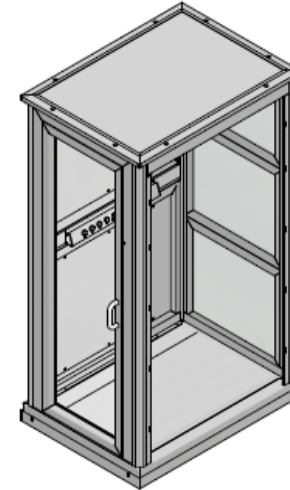
B-B (1 : 15)



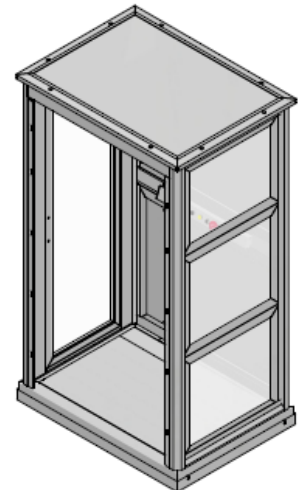
C-C (1 : 8)



VIEW8 (1 : 20)



VIEW9 (1 : 20)

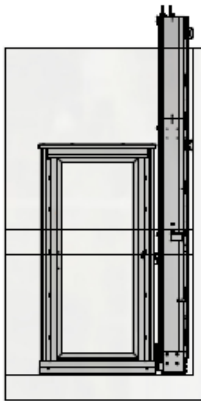


ΕΙΣΟΔΟΣ - ΕΞΟΔΟΣ: ΥΠΟ ΓΩΝΙΑ
 ENTRANCE - EXIT: 90°

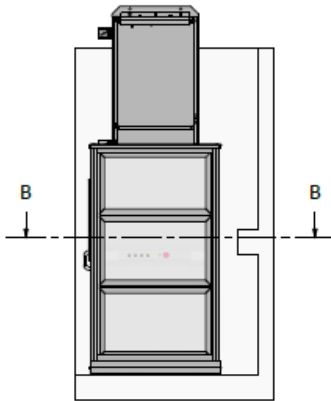
Type A
 800 x 1200

10.5 Cabin type B | Entrance – Exit: Opposite sides

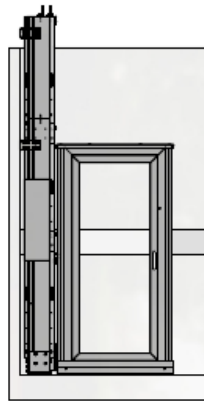
VIEW3 (1 : 35)



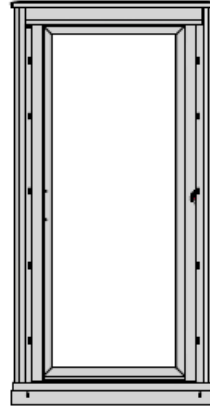
VIEW1 (1 : 35)



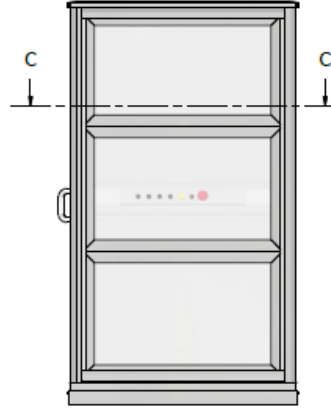
VIEW2 (1 : 35)



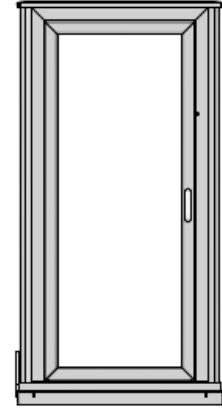
VIEW7 (1 : 20)



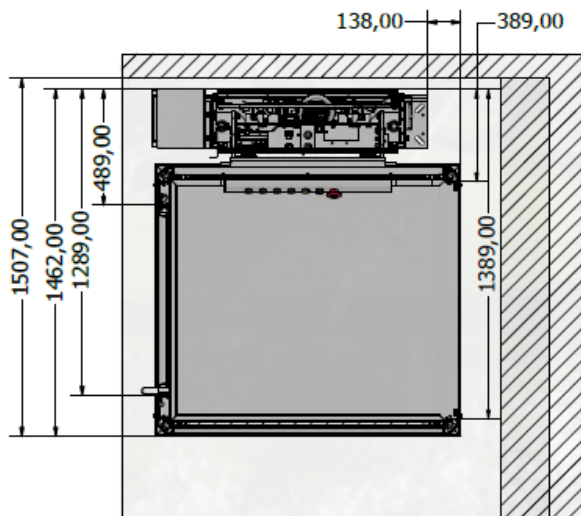
VIEW5 (1 : 20)



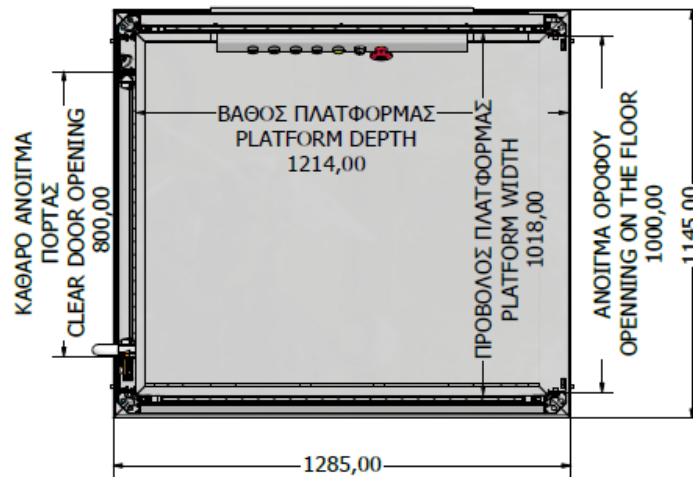
VIEW6 (1 : 20)



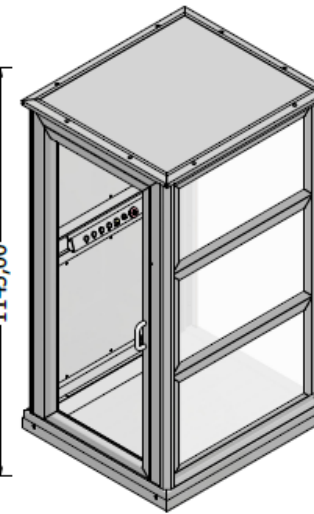
B-B (1 : 15)



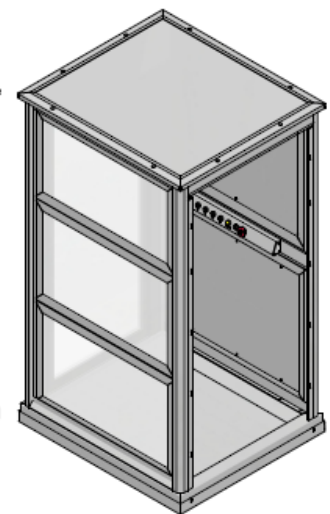
C-C (1 : 10)



VIEW8 (1 : 20)



VIEW9 (1 : 20)

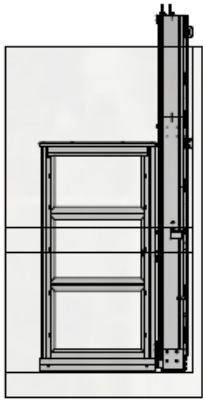


ΕΙΣΟΔΟΣ - ΕΞΟΔΟΣ: ΑΠΕΝΑΝΤΙ
ENTRANCE - EXIT: OPPOSITE

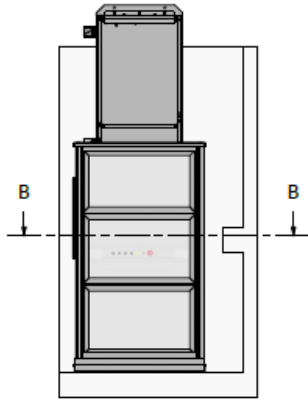
Type B
1000 x 1200

10.6 Cabin type B | Entrance – Exit: Same side

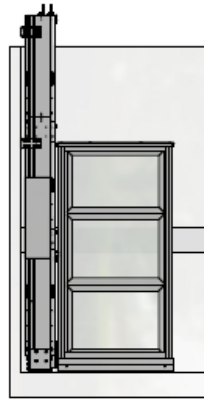
VIEW3 (1 : 35)



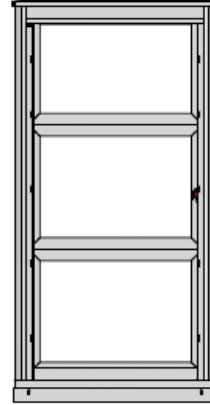
VIEW1 (1 : 35)



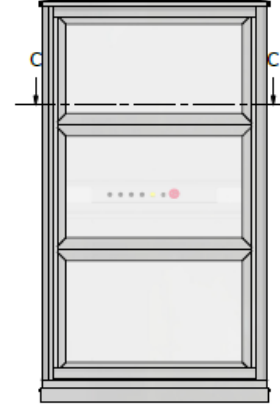
VIEW2 (1 : 35)



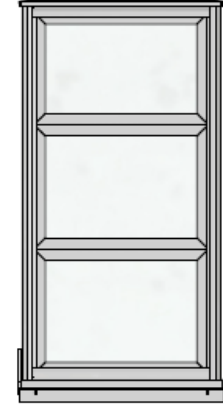
VIEW7 (1 : 20)



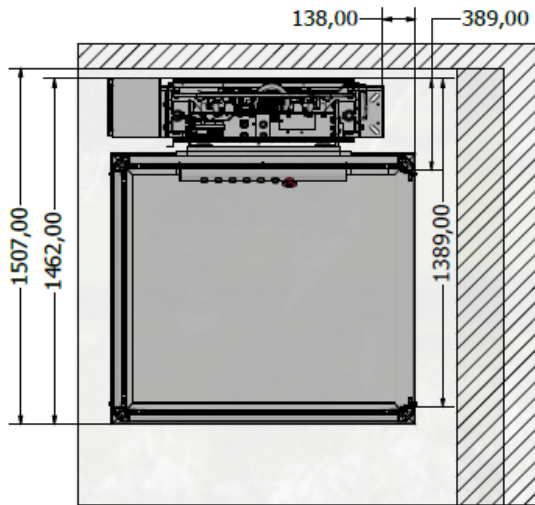
VIEW5 (1 : 20)



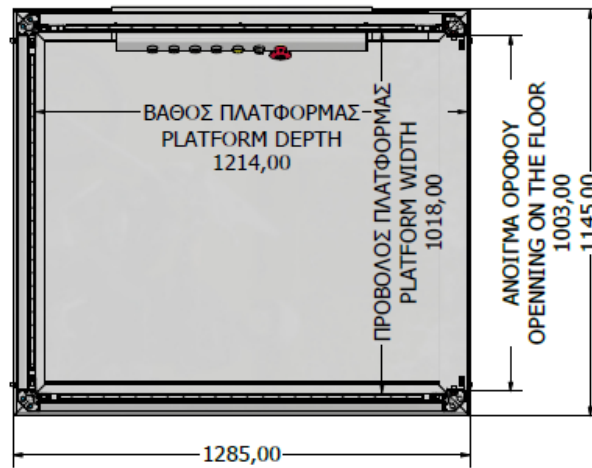
VIEW6 (1 : 20)



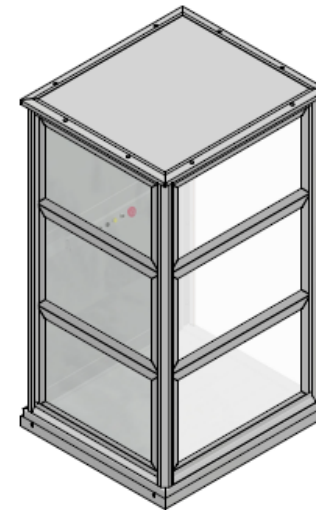
B-B (1 : 15)



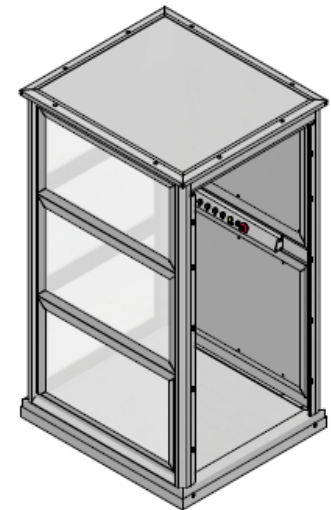
C-C (1 : 10)



VIEW8 (1 : 20)



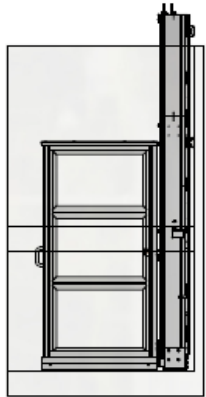
VIEW9 (1 : 20)



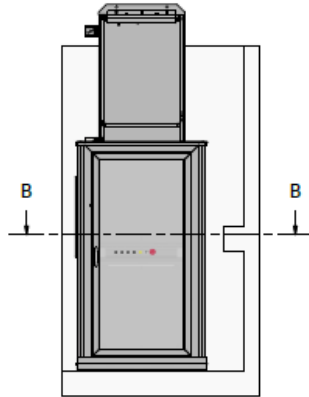
ΕΙΣΟΔΟΣ - ΕΞΟΔΟΣ: ΙΔΙΑ ΠΛΕΥΡΑ Type B
ENTRANCE - EXIT: SAME SIDE 1000 x 1200

10.7 Cabin type B | Entrance – Exit: Adjacent sides 90°

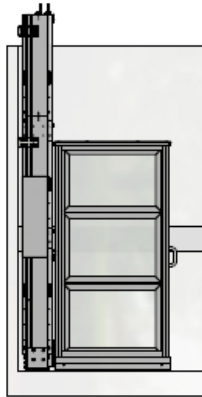
VIEW3 (1 : 35)



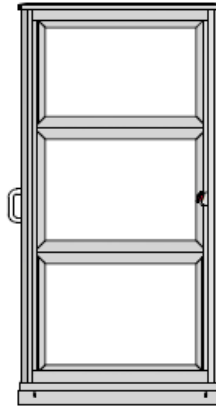
VIEW1 (1 : 35)



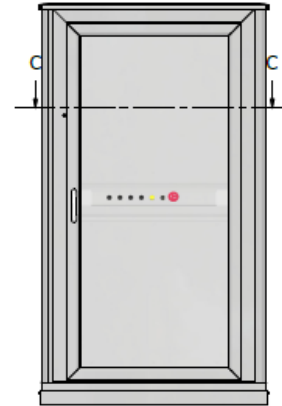
VIEW2 (1 : 35)



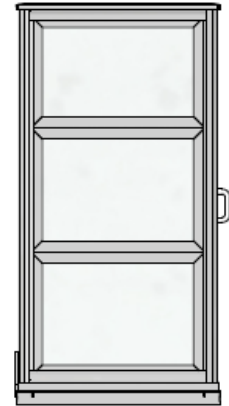
VIEW7 (1 : 20)



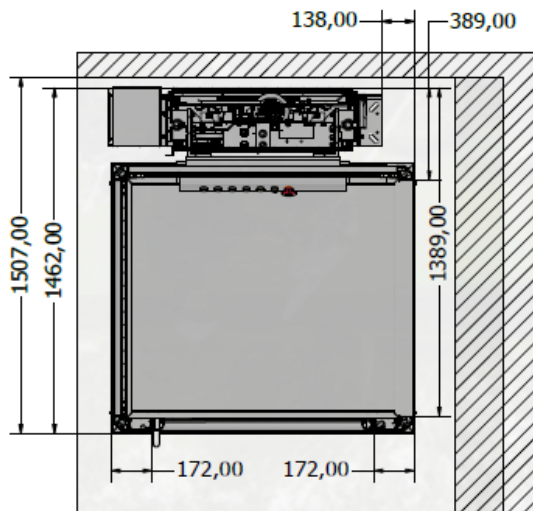
VIEW5 (1 : 20)



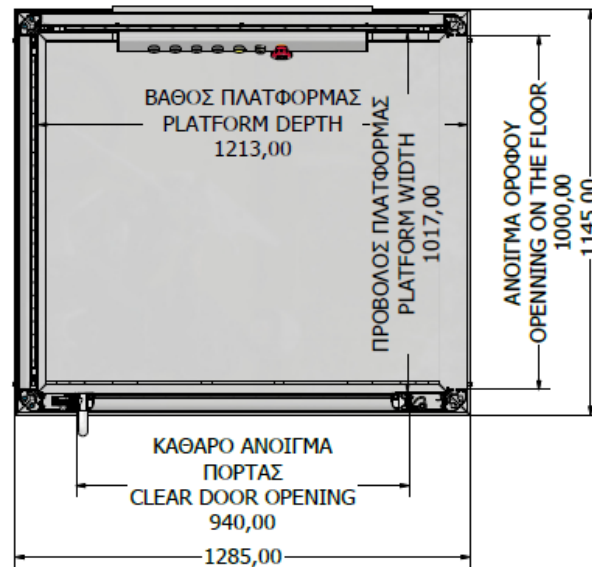
VIEW6 (1 : 20)



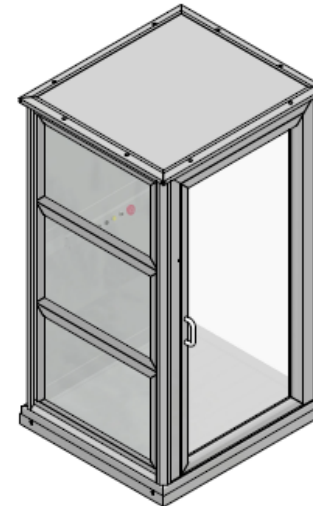
B-B (1 : 15)



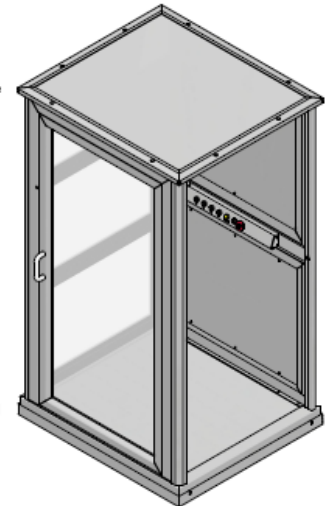
C-C (1 : 10)



VIEW8 (1 : 20)



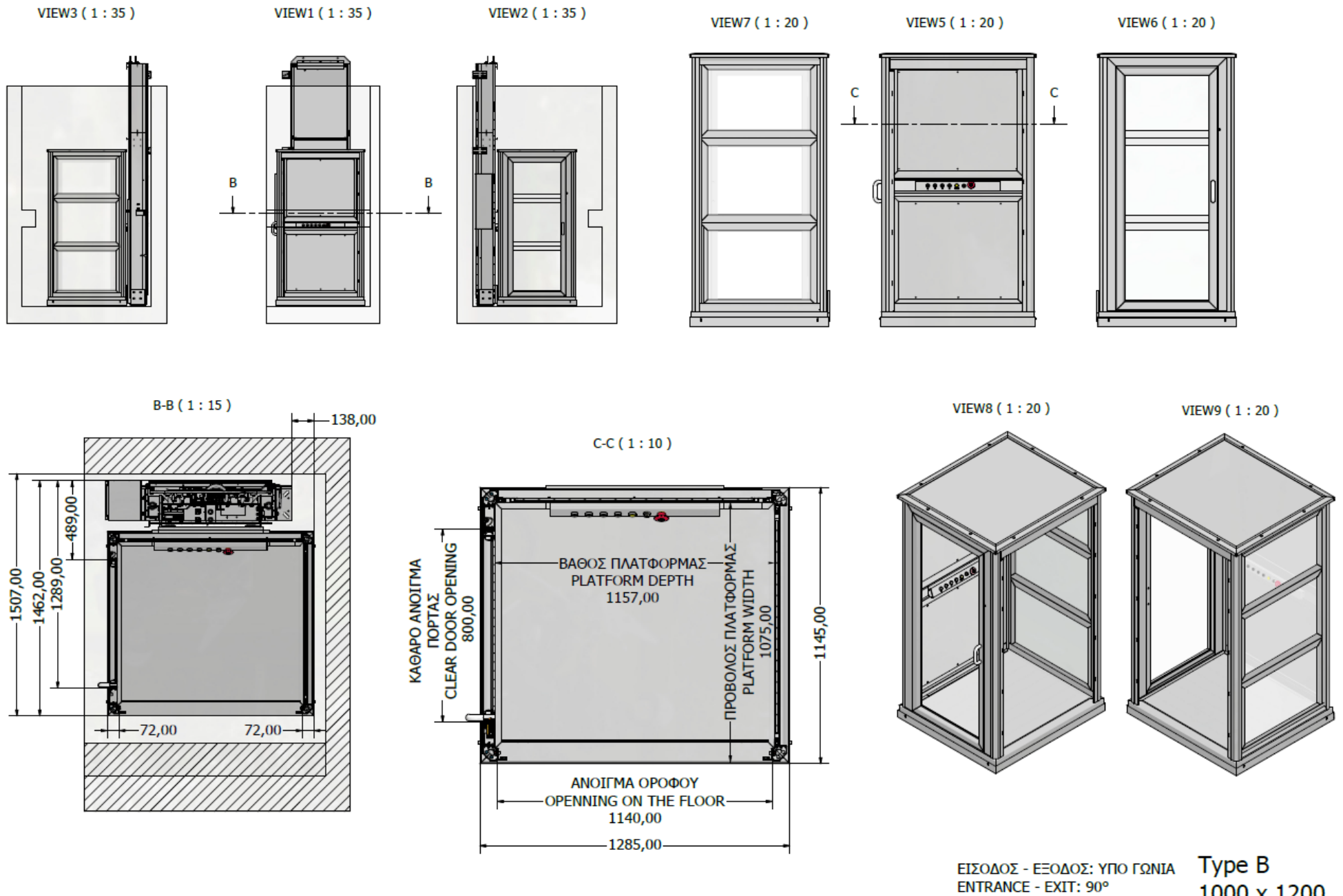
VIEW9 (1 : 20)



ΕΙΣΟΔΟΣ - ΕΞΟΔΟΣ: ΥΠΟ ΓΩΝΙΑ
ENTRANCE - EXIT: 90°

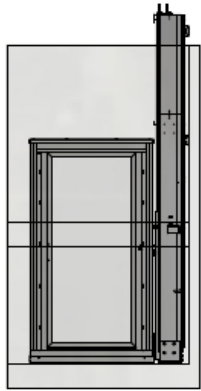
Type B
1000 x 1200

10.8 Cabin type B | Entrance – Exit: Adjacent sides 90°

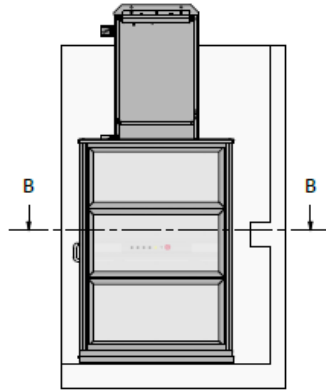


10.9 Cabin type C | Entrance – Exit: Opposite sides

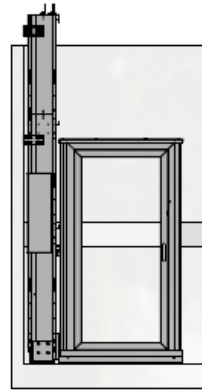
VIEW3 (1 : 35)



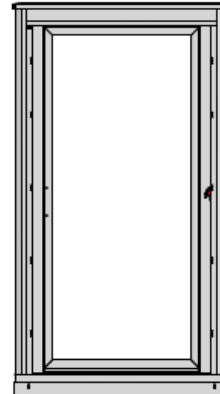
VIEW1 (1 : 35)



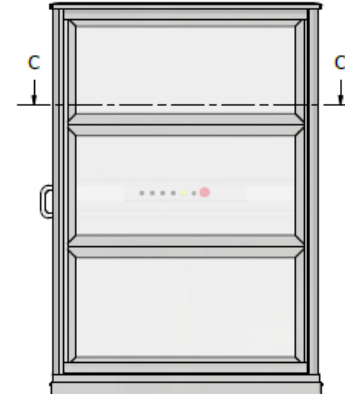
VIEW2 (1 : 35)



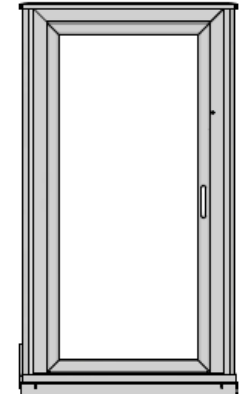
VIEW7 (1 : 20)



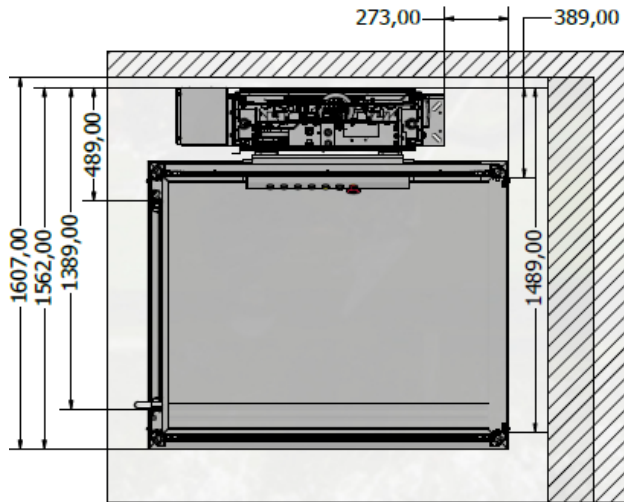
VIEW5 (1 : 20)



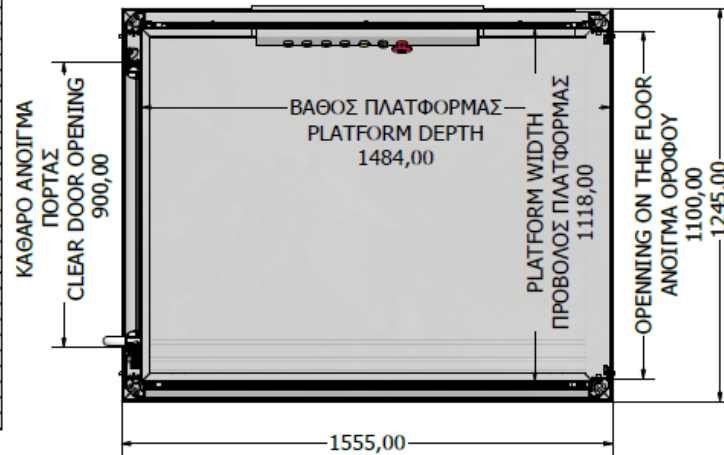
VIEW6 (1 : 20)



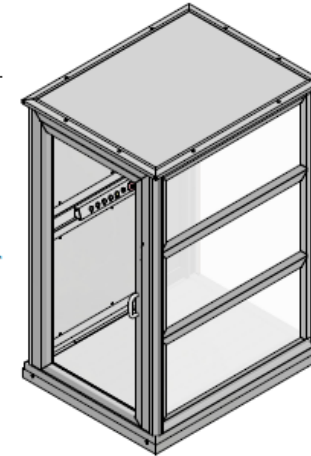
B-B (1 : 15)



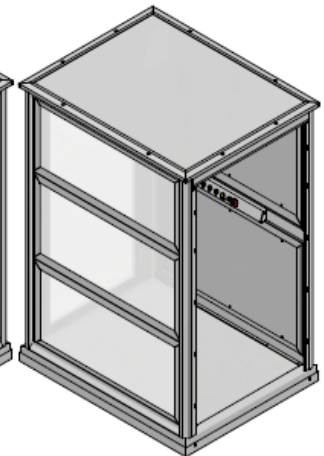
C-C (1 : 11)



VIEW8 (1 : 23)



VIEW9 (1 : 23)

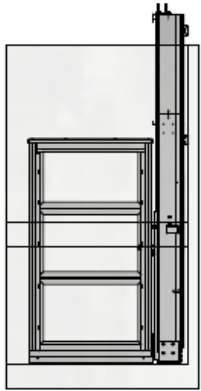


ΕΙΣΟΔΟΣ - ΕΞΟΔΟΣ: ΑΠΕΝΑΝΤΙ
ENTRANCE - EXIT: OPPOSITE

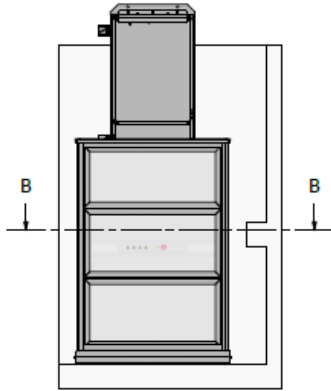
Type C
1100 x 1400

10.10 Cabin type C | Entrance – Exit: Same side

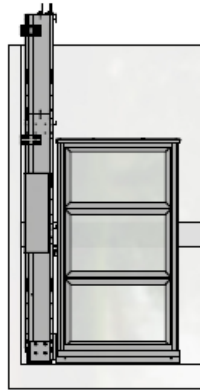
VIEW3 (1 : 35)



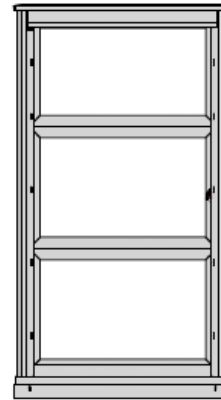
VIEW1 (1 : 35)



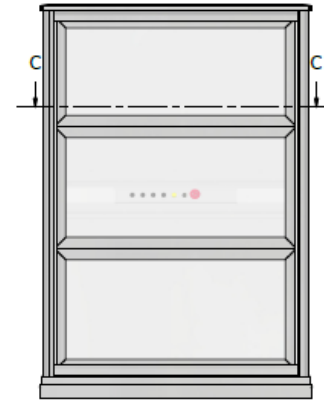
VIEW2 (1 : 35)



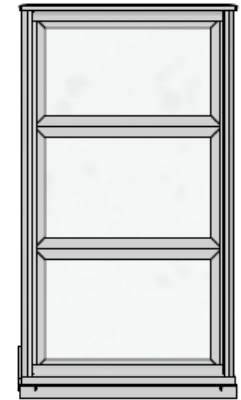
VIEW7 (1 : 20)



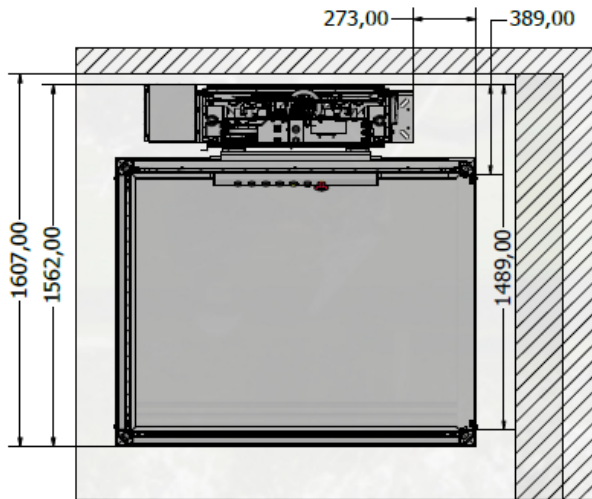
VIEW5 (1 : 20)



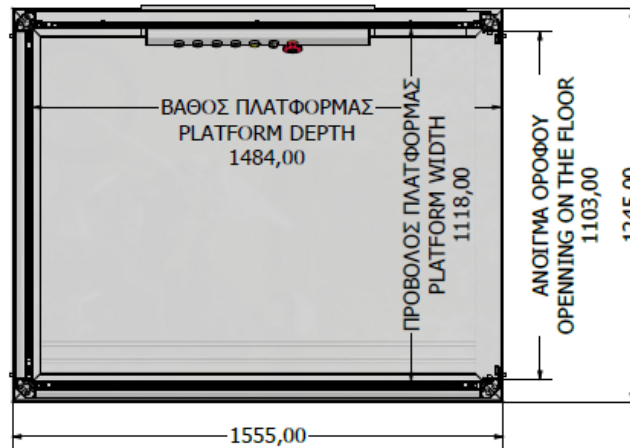
VIEW6 (1 : 20)



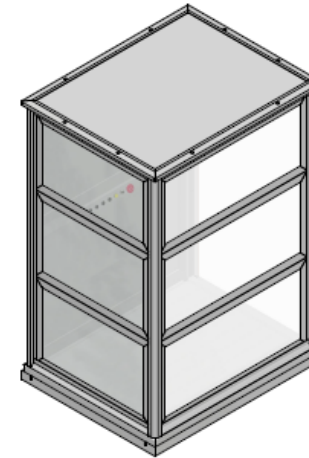
B-B (1 : 15)



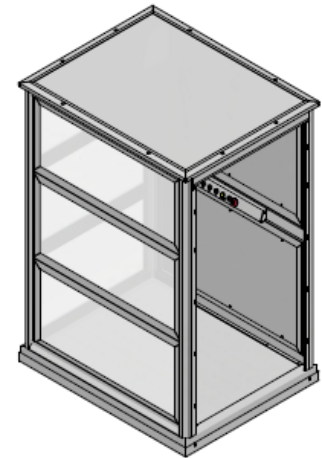
C-C (1 : 11)



VIEW8 (1 : 23)

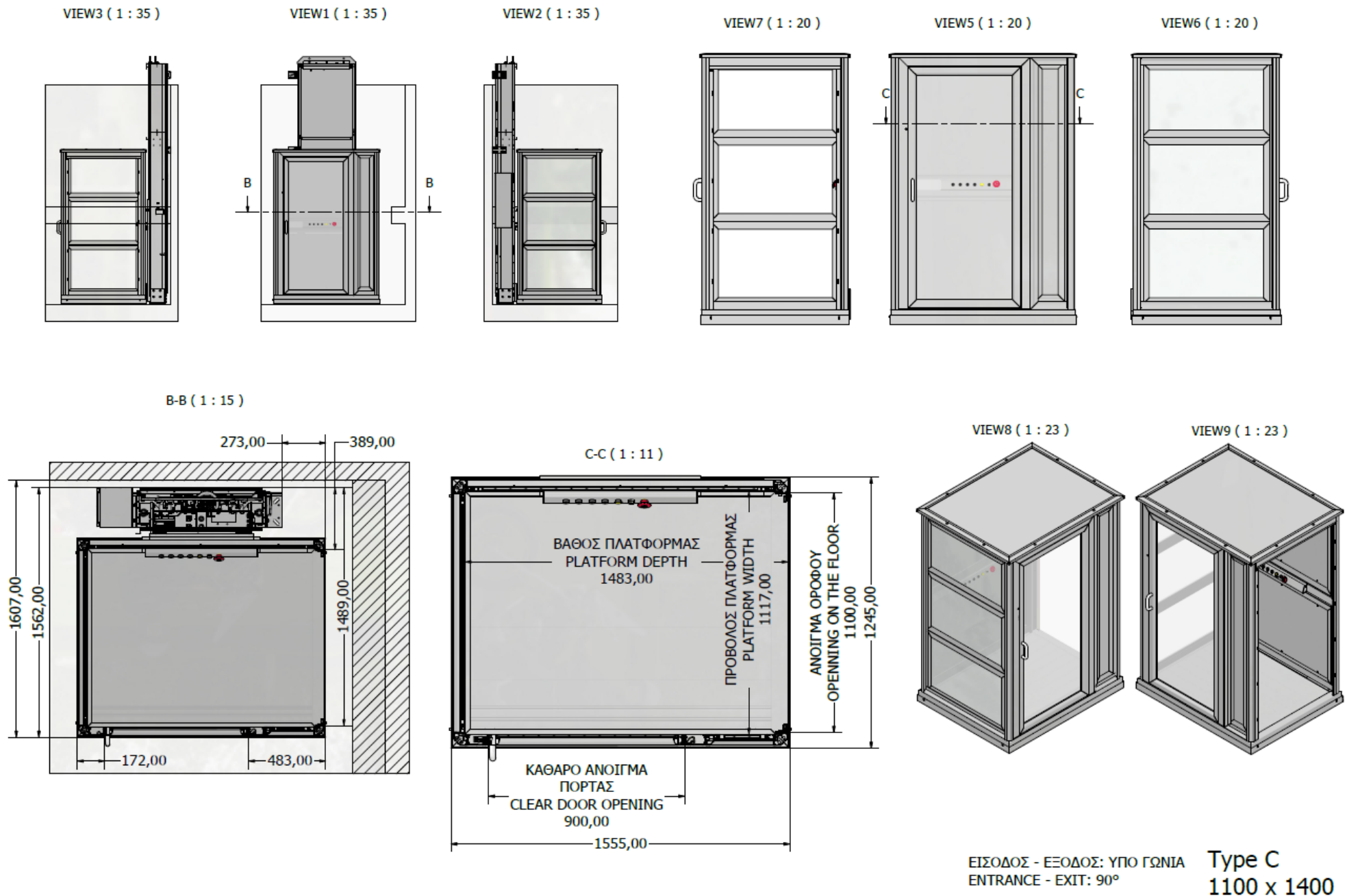


VIEW9 (1 : 23)



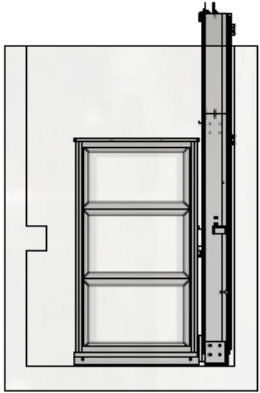
ΕΙΣΟΔΟΣ - ΕΞΟΔΟΣ: ΙΔΙΑ ΠΛΕΥΡΑ Type C
 ENTRANCE - EXIT: SAME SIDE 1100 x 1400

10.11 Cabin type C | Entrance – Exit: Adjacent sides 90°

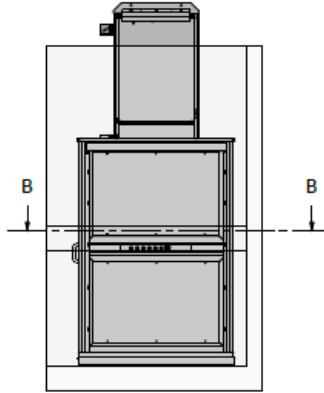


10.12 Cabin type C | Entrance – Exit: Adjacent sides 90°

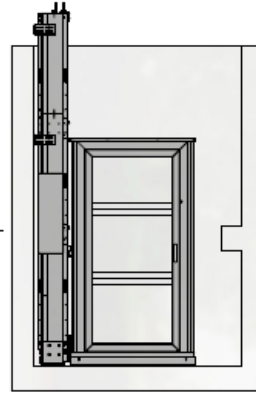
VIEW3 (1 : 35)



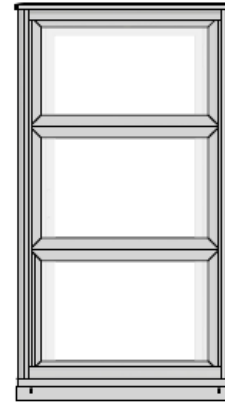
VIEW1 (1 : 35)



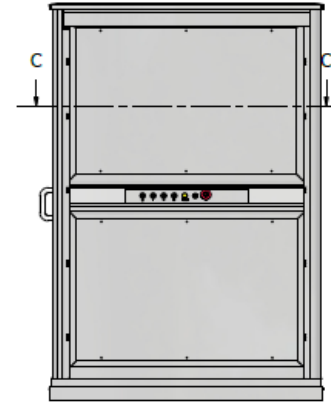
VIEW2 (1 : 35)



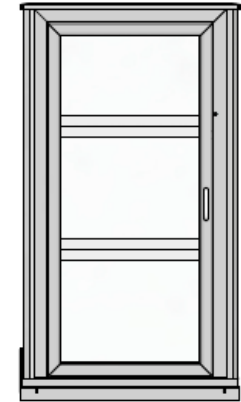
VIEW7 (1 : 20)



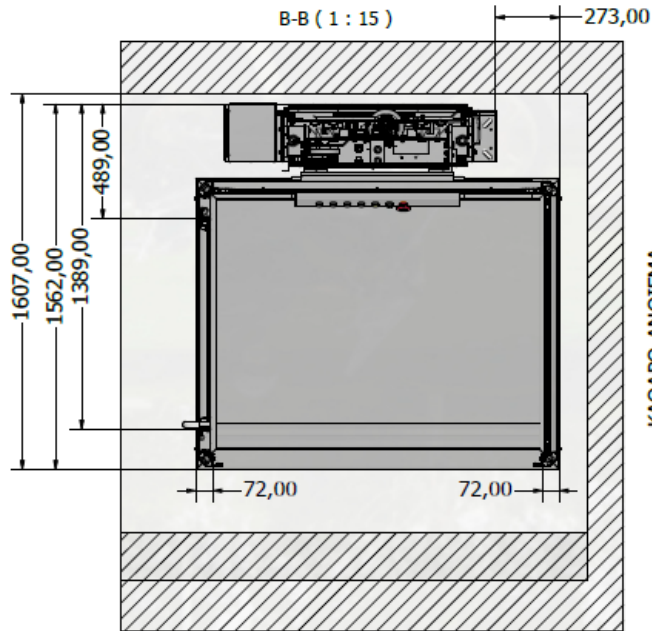
VIEW5 (1 : 20)



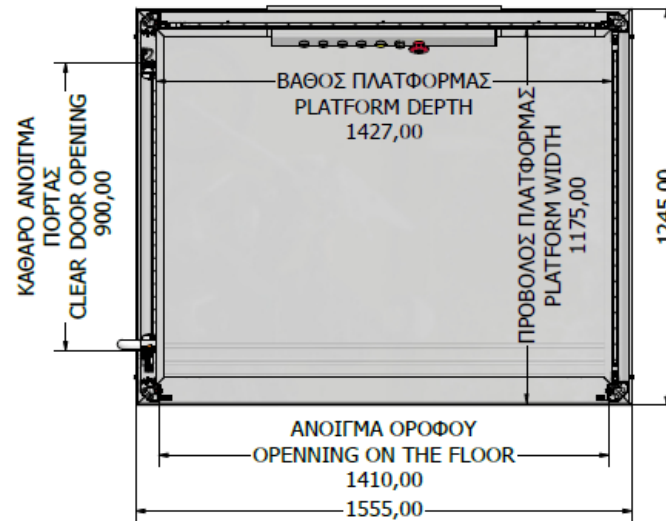
VIEW6 (1 : 20)



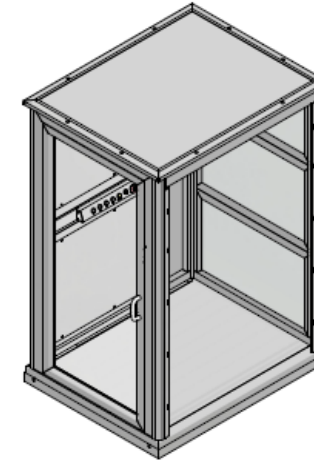
B-B (1 : 15)



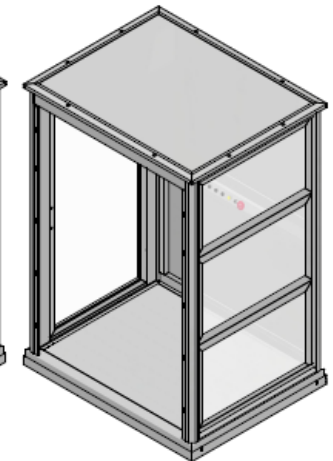
C-C (1 : 11)



VIEW8 (1 : 23)



VIEW9 (1 : 23)

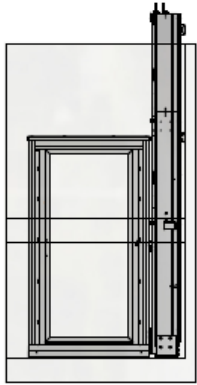


ΕΙΣΟΔΟΣ - ΕΞΟΔΟΣ: ΥΠΟ ΓΩΝΙΑ
ENTRANCE - EXIT: 90°

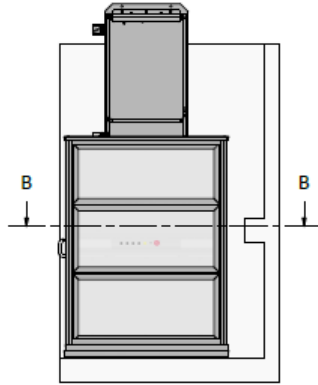
Type C
1100 x 1400

10.13 Cabin type D | Entrance – Exit: Opposite sides

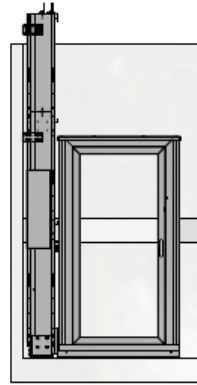
VIEW3 (1 : 35)



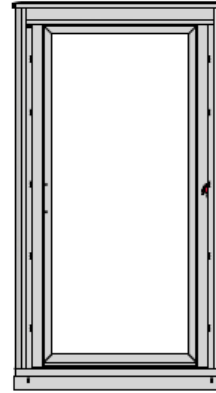
VIEW1 (1 : 35)



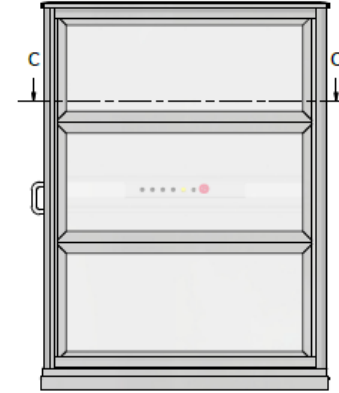
VIEW2 (1 : 35)



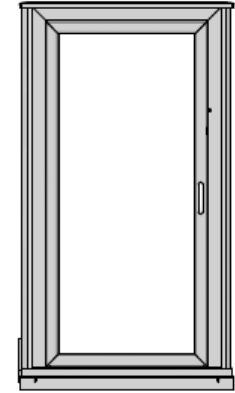
VIEW7 (1 : 20)



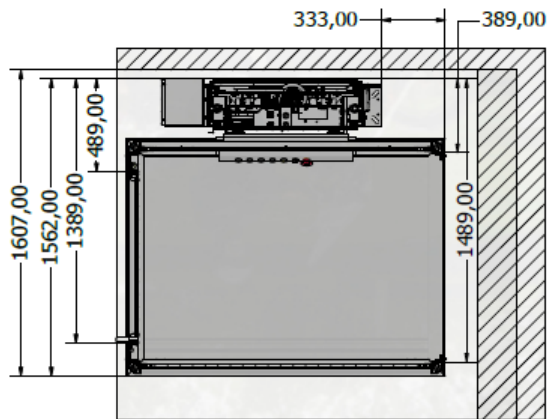
VIEW5 (1 : 20)



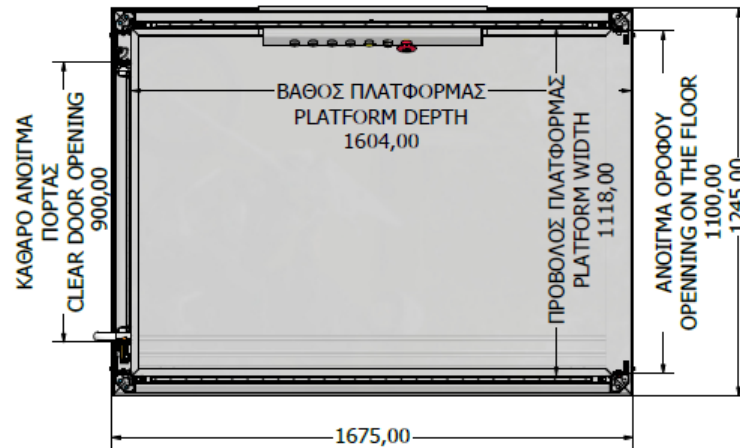
VIEW6 (1 : 20)



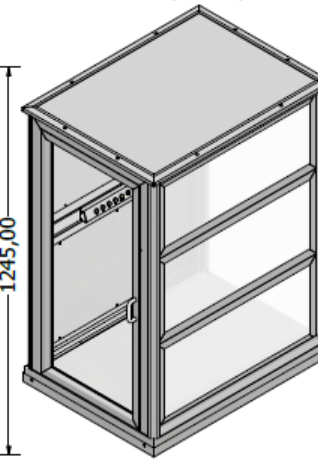
B-B (1 : 18)



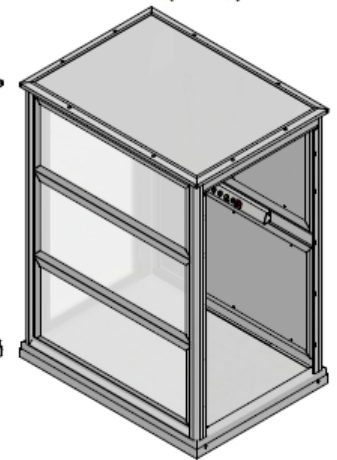
C-C (1 : 11)



VIEW8 (1 : 23)



VIEW9 (1 : 23)

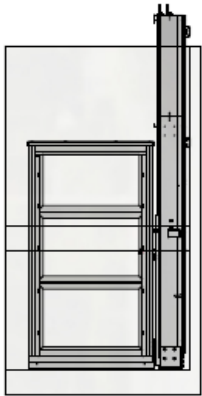


ΕΙΣΟΔΟΣ - ΕΞΟΔΟΣ: ΑΠΕΝΑΝΤΙ
ENTRANCE - EXIT: OPPOSITE

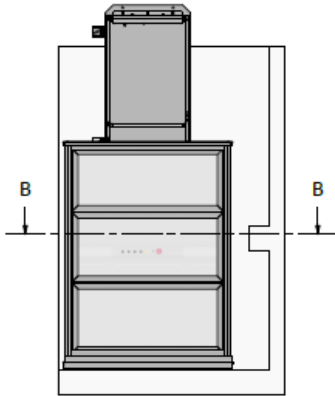
Type D
1100 x 1600

10.14 Cabin type D | Entrance – Exit: Same side

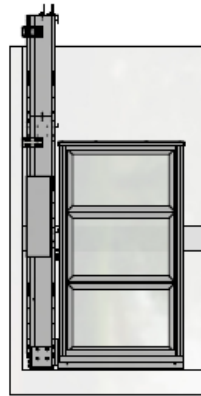
VIEW3 (1 : 35)



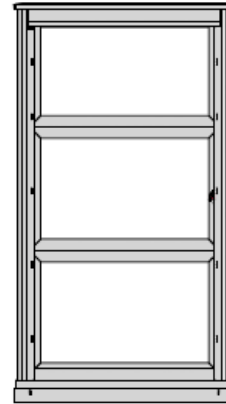
VIEW1 (1 : 35)



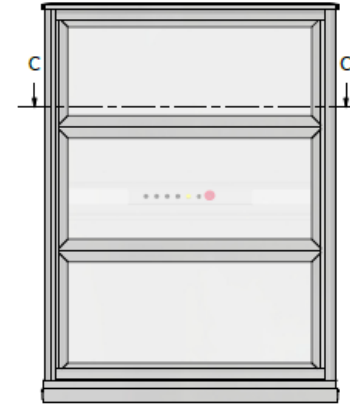
VIEW2 (1 : 35)



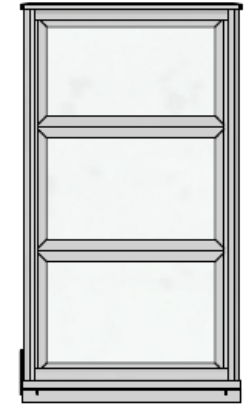
VIEW7 (1 : 20)



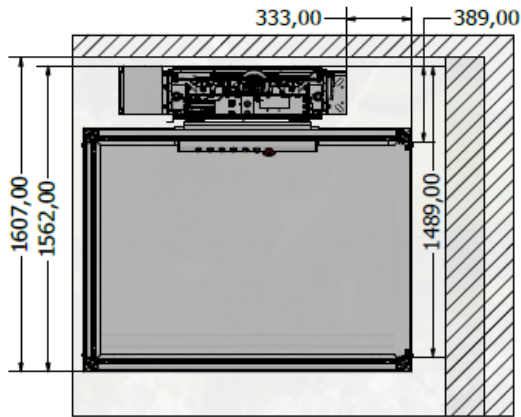
VIEW5 (1 : 20)



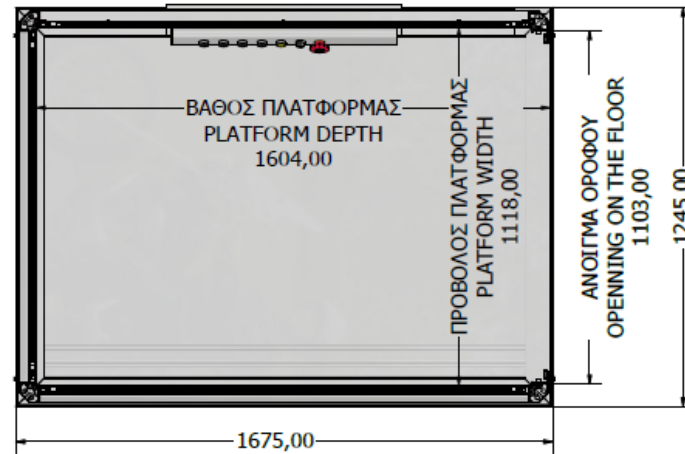
VIEW6 (1 : 20)



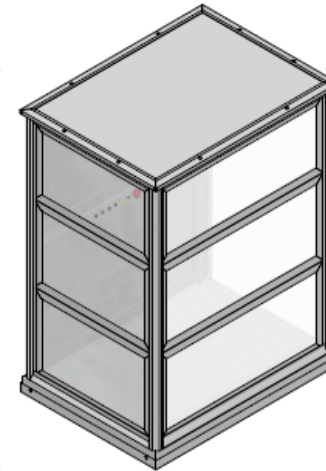
B-B (1 : 18)



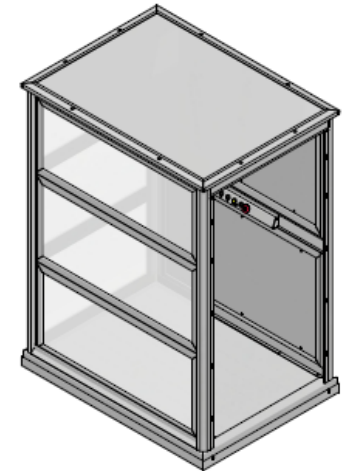
C-C (1 : 11)



VIEW8 (1 : 23)



VIEW9 (1 : 23)

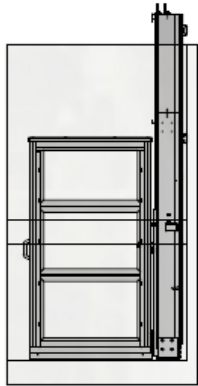


ΕΙΣΟΔΟΣ - ΕΞΟΔΟΣ: ΙΔΙΑ ΠΛΕΥΡΑ
ENTRANCE - EXIT: SAME SIDE

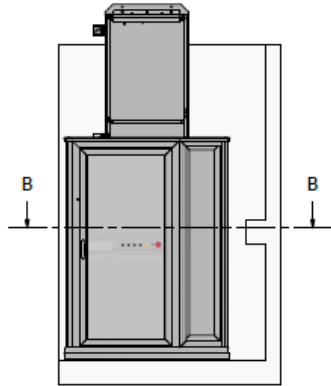
Type D
1100 x 1600

10.15 Cabin type D | Entrance – Exit: Adjacent sides 90°

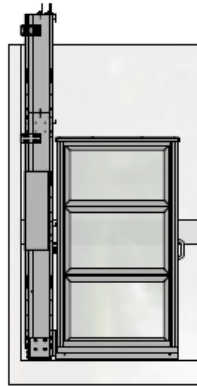
VIEW3 (1 : 35)



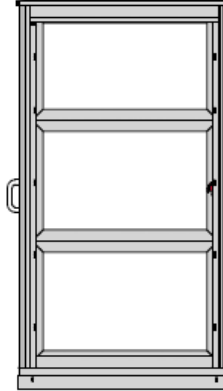
VIEW1 (1 : 35)



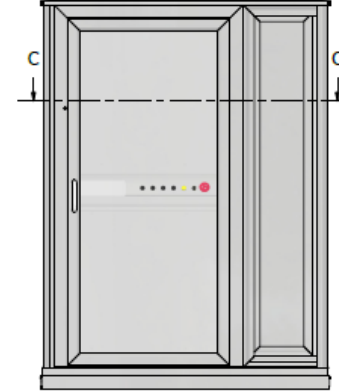
VIEW2 (1 : 35)



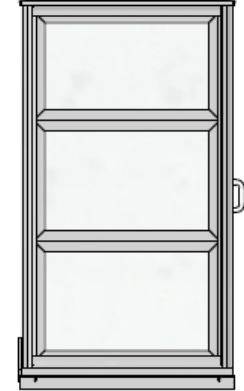
VIEW7 (1 : 20)



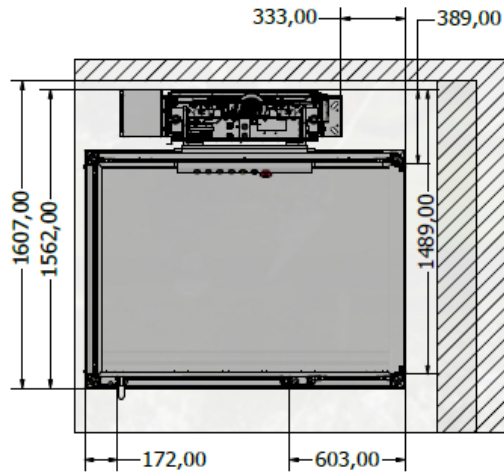
VIEW5 (1 : 20)



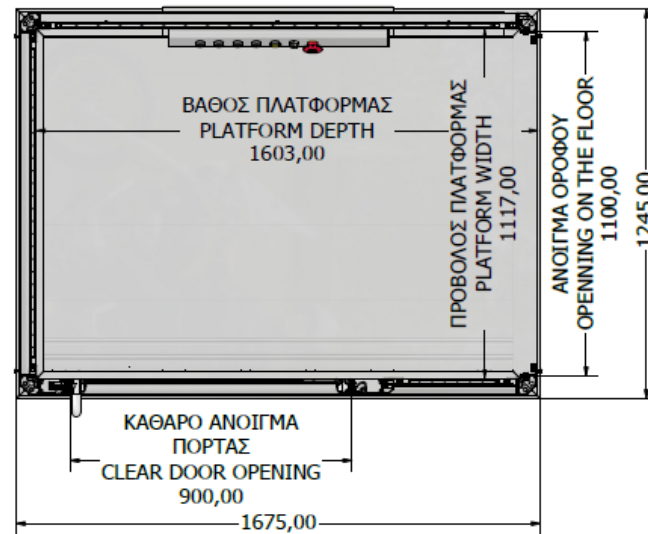
VIEW6 (1 : 20)



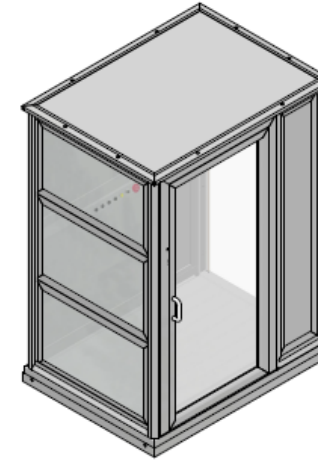
B-B (1 : 18)



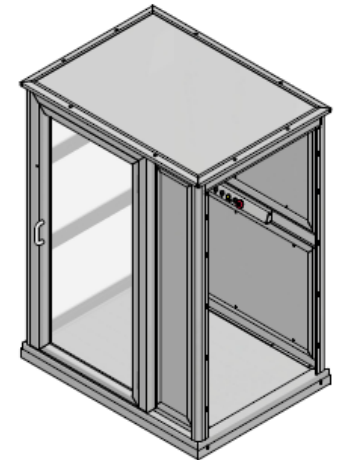
C-C (1 : 11)



VIEW8 (1 : 23)



VIEW9 (1 : 23)

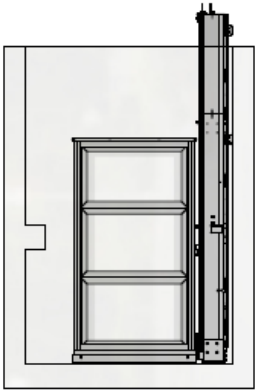


ΕΙΣΟΔΟΣ - ΕΞΟΔΟΣ: ΥΠΟ ΓΩΝΙΑ
ENTRANCE - EXIT: 90°

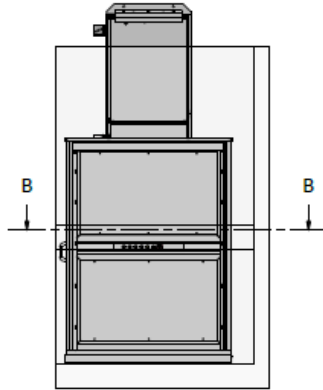
Type D
1100 x 1600

10.16 Cabin type D | Entrance – Exit: Adjacent sides 90°

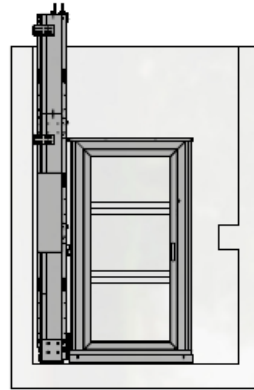
VIEW3 (1 : 35)



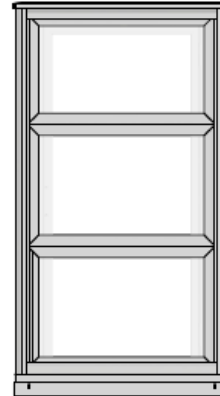
VIEW1 (1 : 35)



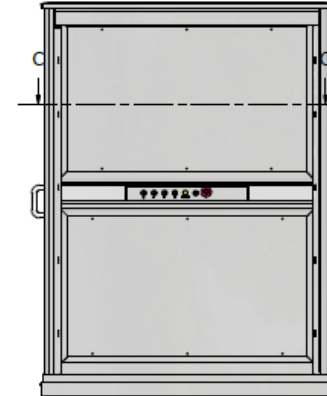
VIEW2 (1 : 35)



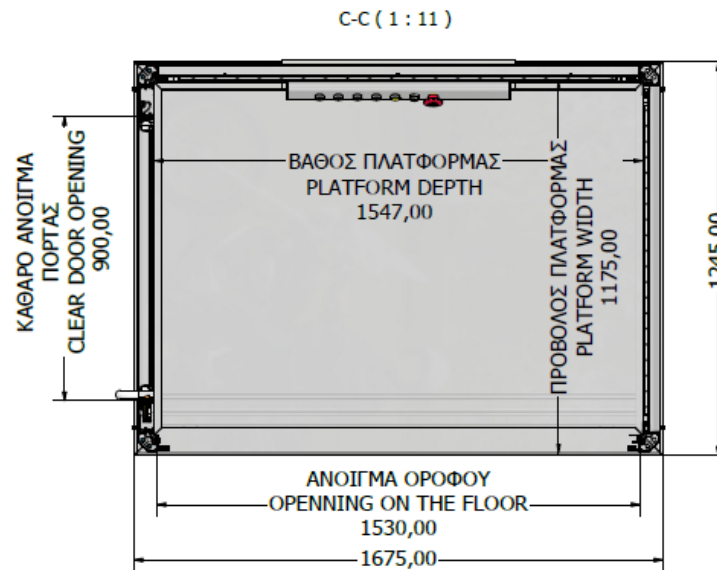
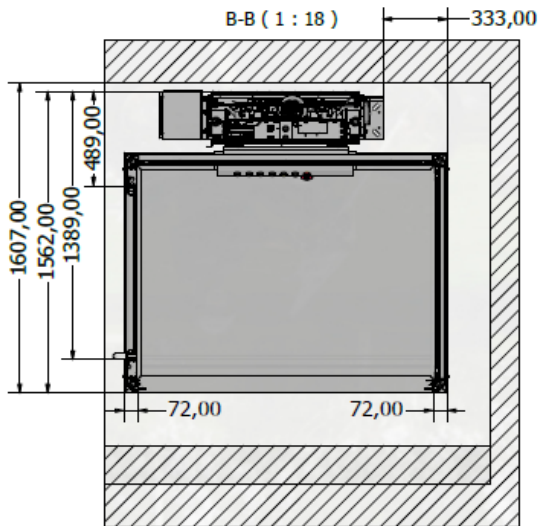
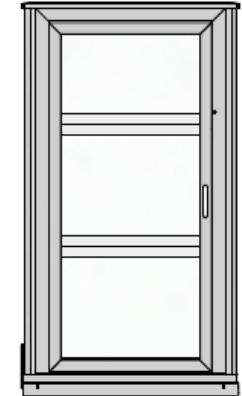
VIEW7 (1 : 20)



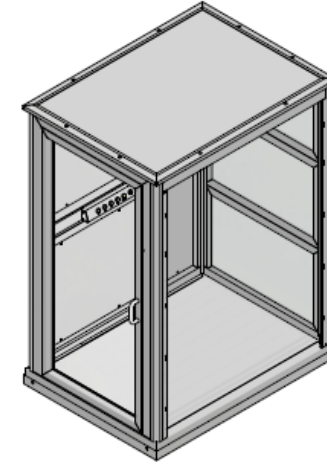
VIEW5 (1 : 20)



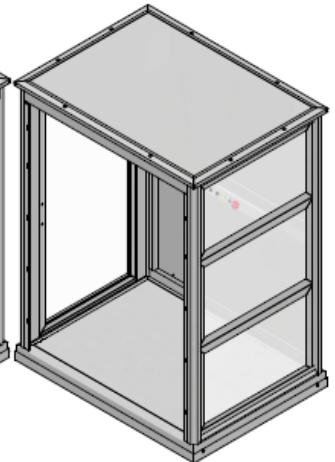
VIEW6 (1 : 20)



VIEW8 (1 : 23)



VIEW9 (1 : 23)



ΕΙΣΟΔΟΣ - ΕΞΟΔΟΣ: ΥΠΟ ΓΩΝΙΑ
ENTRANCE - EXIT: 90°

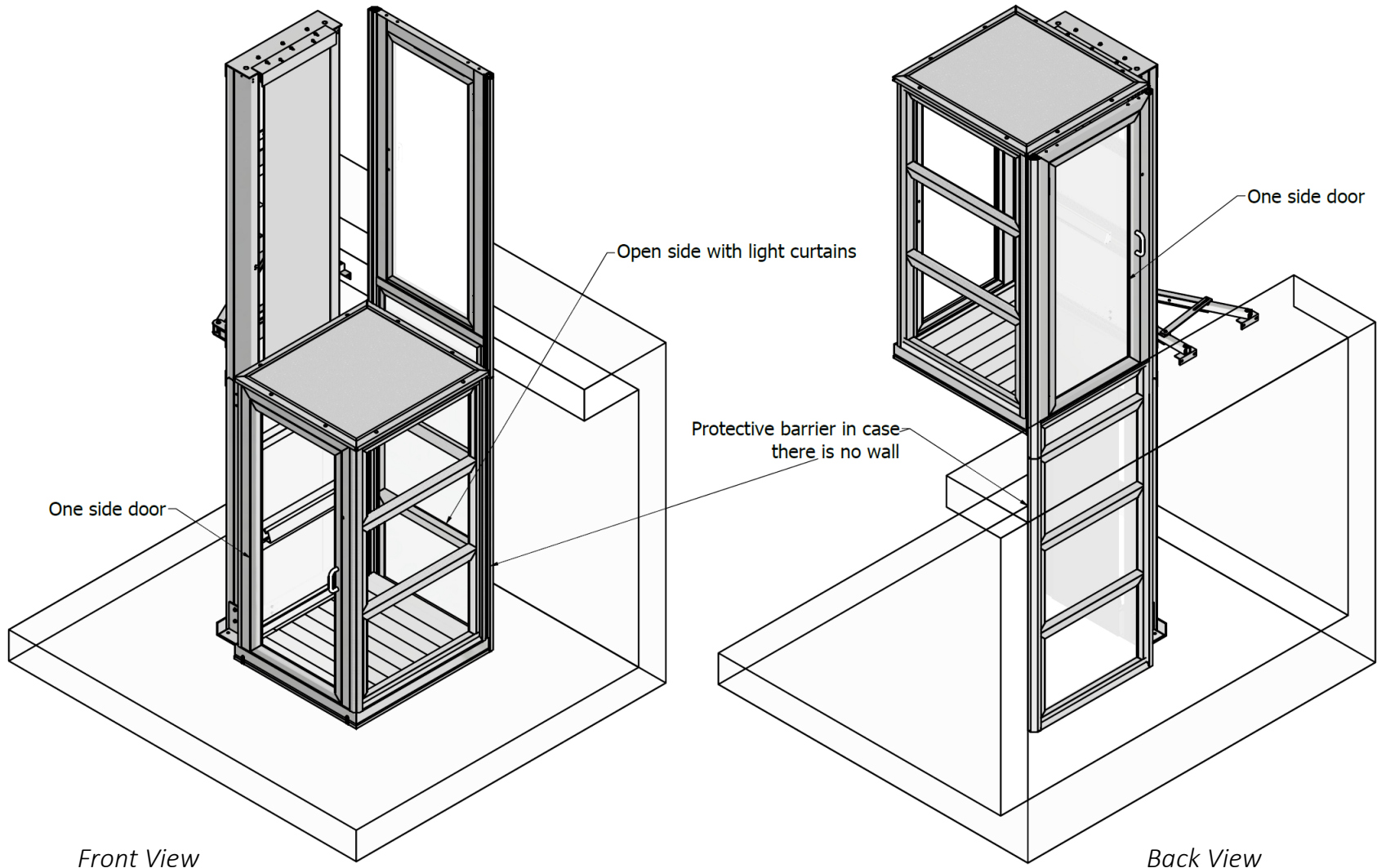
Type C
1100 x 1600

11. 3D VISUALISATION

11.1 Closed cabin

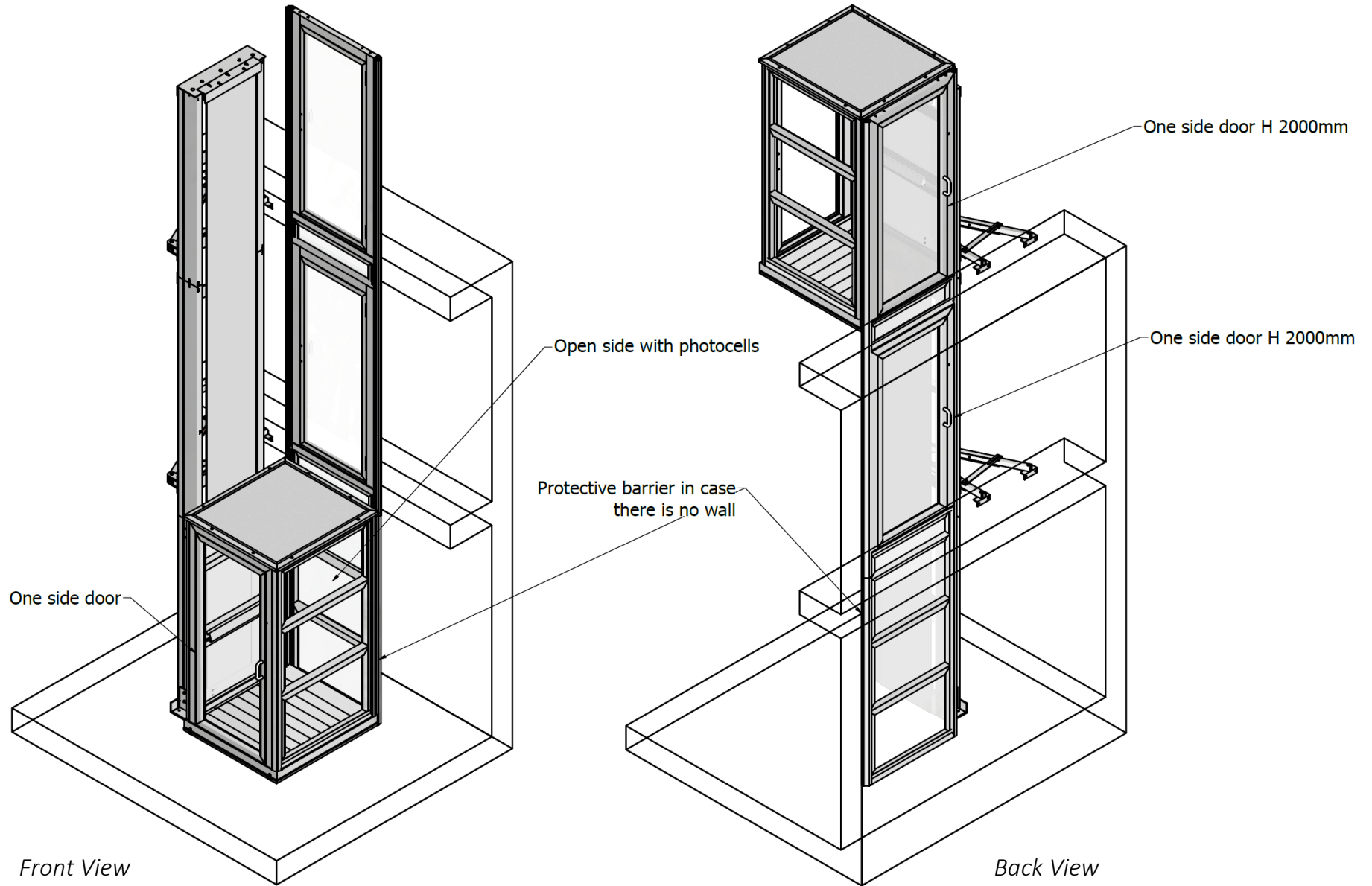
11.1.1 Entrance – Exit: Opposite sides, 2 stops

In this option the cabin has 2 walls, one side door on the platform and one open side with photocells. The aluminium barrier has 1 door (H 2000mm) at the exit.



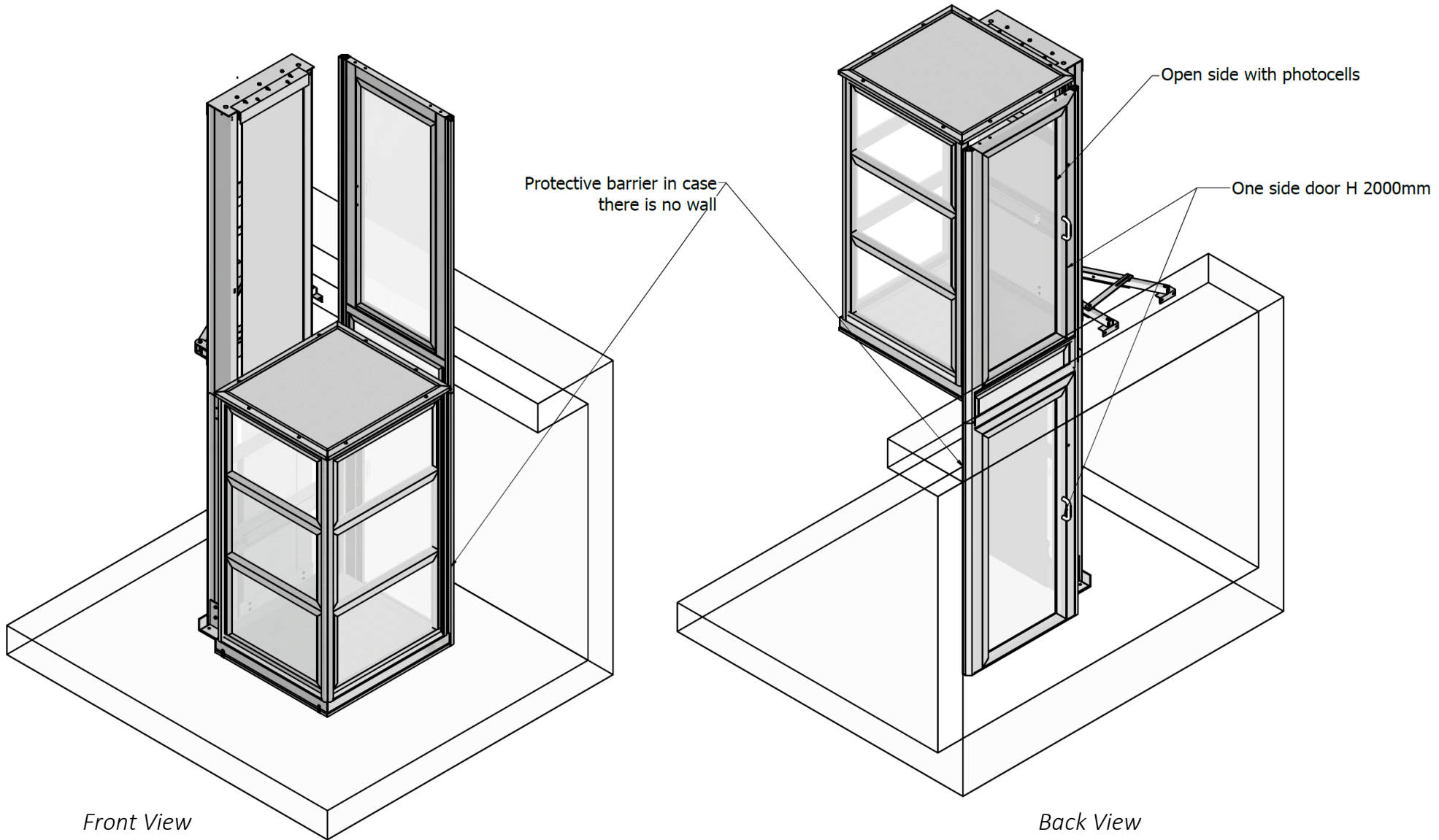
11.1.2 Entrance – Exit: Opposite sides, 3 stops

In case we have more than 2 stops then the wall integrates doors with 2000mm height at each stop.



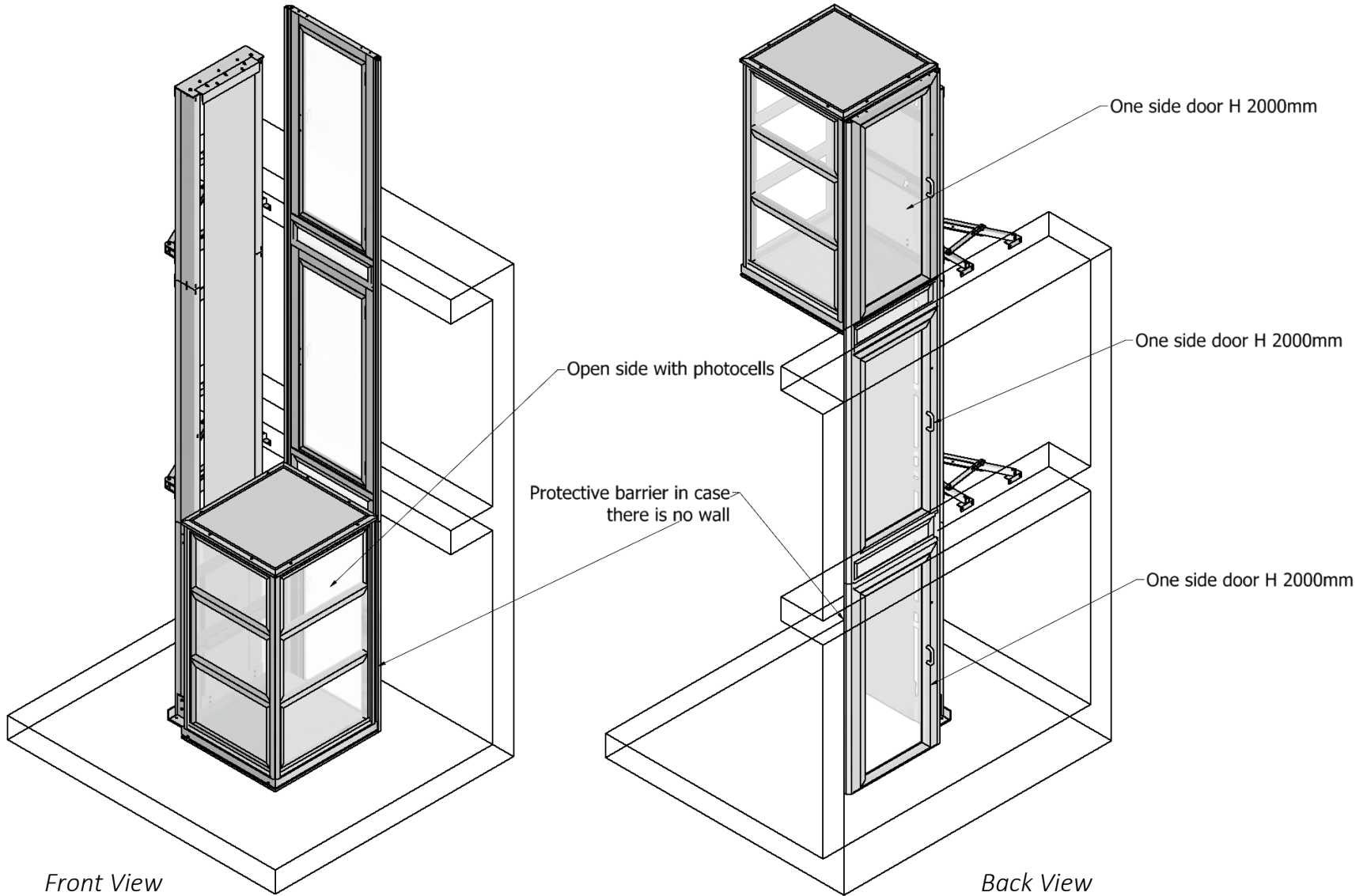
11.1.3 Entrance – Exit: Same sides, 2 stops

In this scenario the cabin has 3 sides closed with panels and one open side that has photocells for safety. The aluminium barrier has both doors fitted. The door in the entrance will have a height of 2000mm and the one in the exit 2000mm.



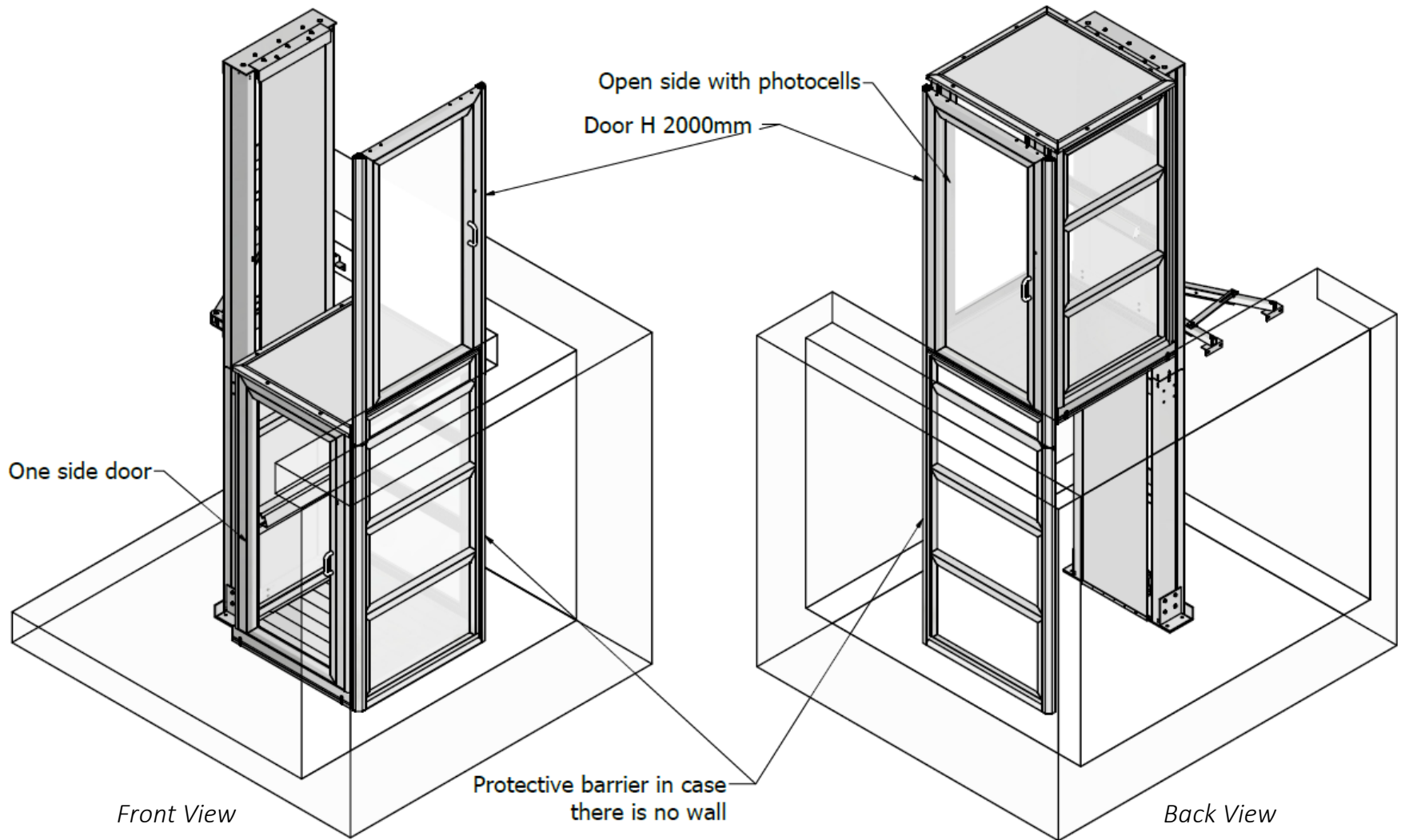
11.1.4 Entrance – Exit: Same side, 3 stops

Similarly in this case we offer a cabin with one open side. The protective barrier in the case integrates 3 doors with 2000mm height on the stops.



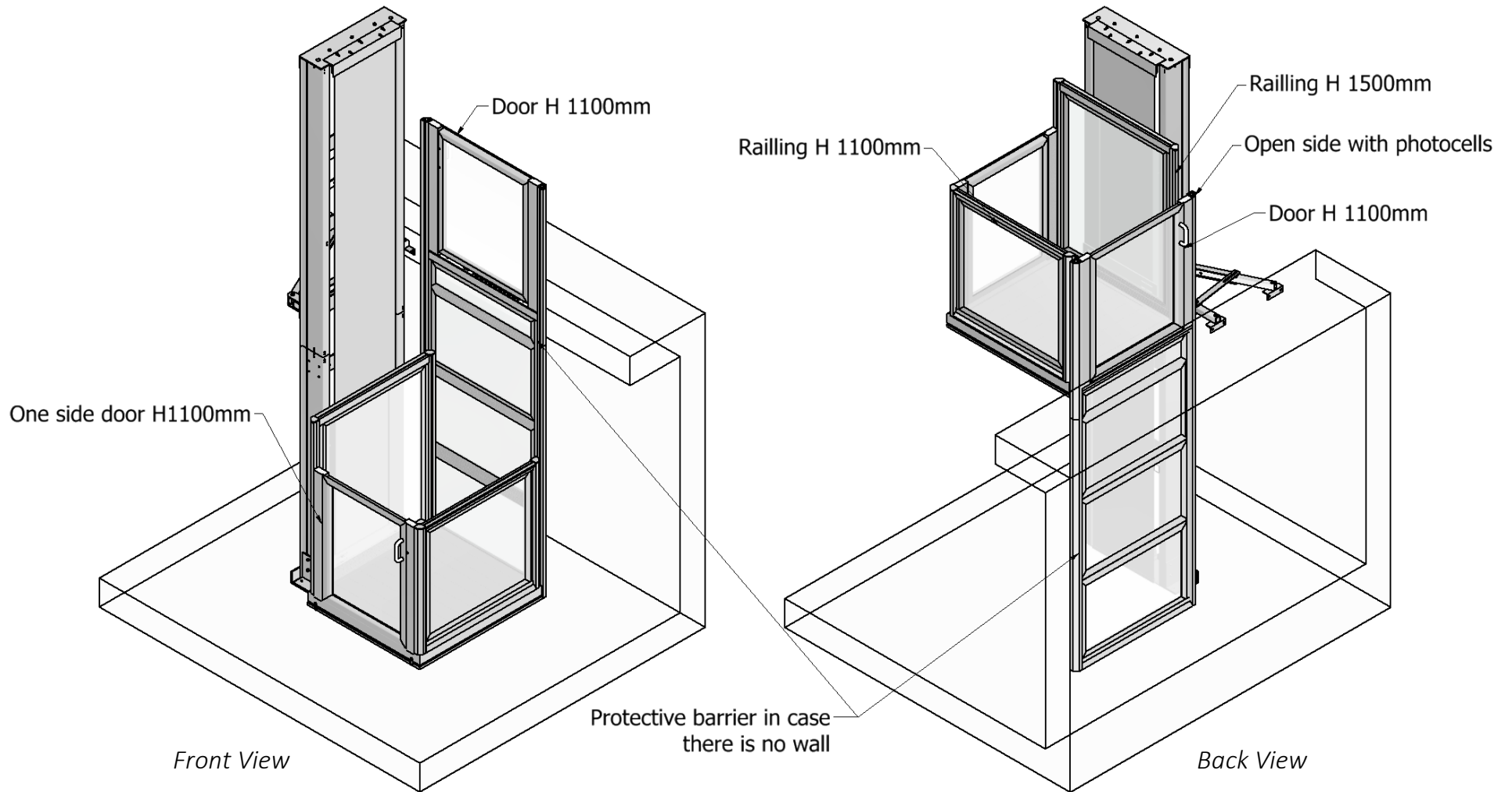
11.1.5 Entrance – Exit: Adjacent sides 90°, 2 stops

In this option the cabin follows the same principle as the entrance exit through. This means the cabin has one side door on the platform, 2 sides covered with panels and one open side with photocells. The aluminium barrier has 1 door (H 2000mm) at the exit.

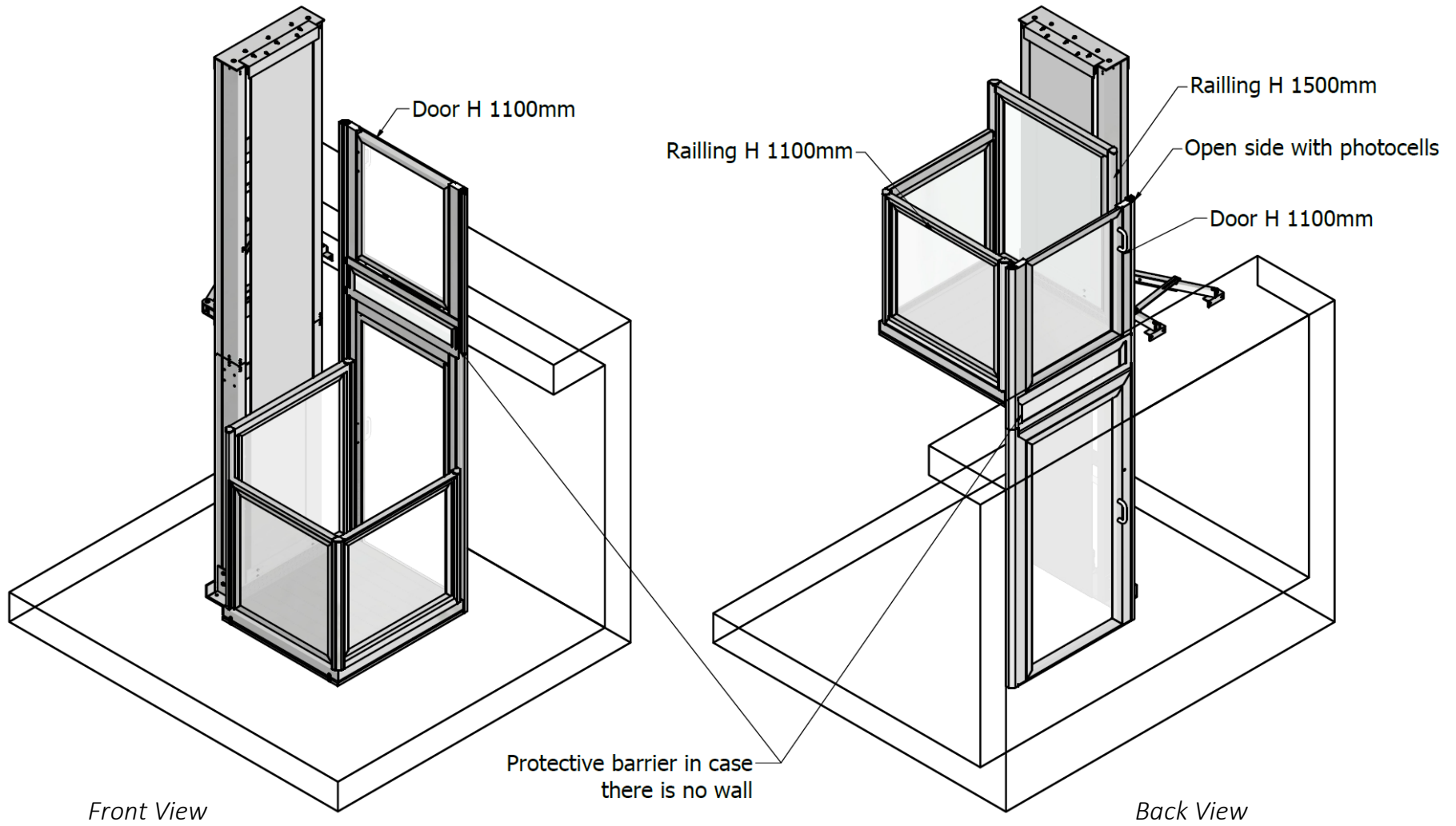


11.2 Open Cabin

11.2.1 Entrance – Exit: Opposite sides, 2 stops



11.2.2 Entrance – Exit: Same side, 2 stops



11.2.3 Entrance – Exit: Adjacent sides 90°, 2 stops

